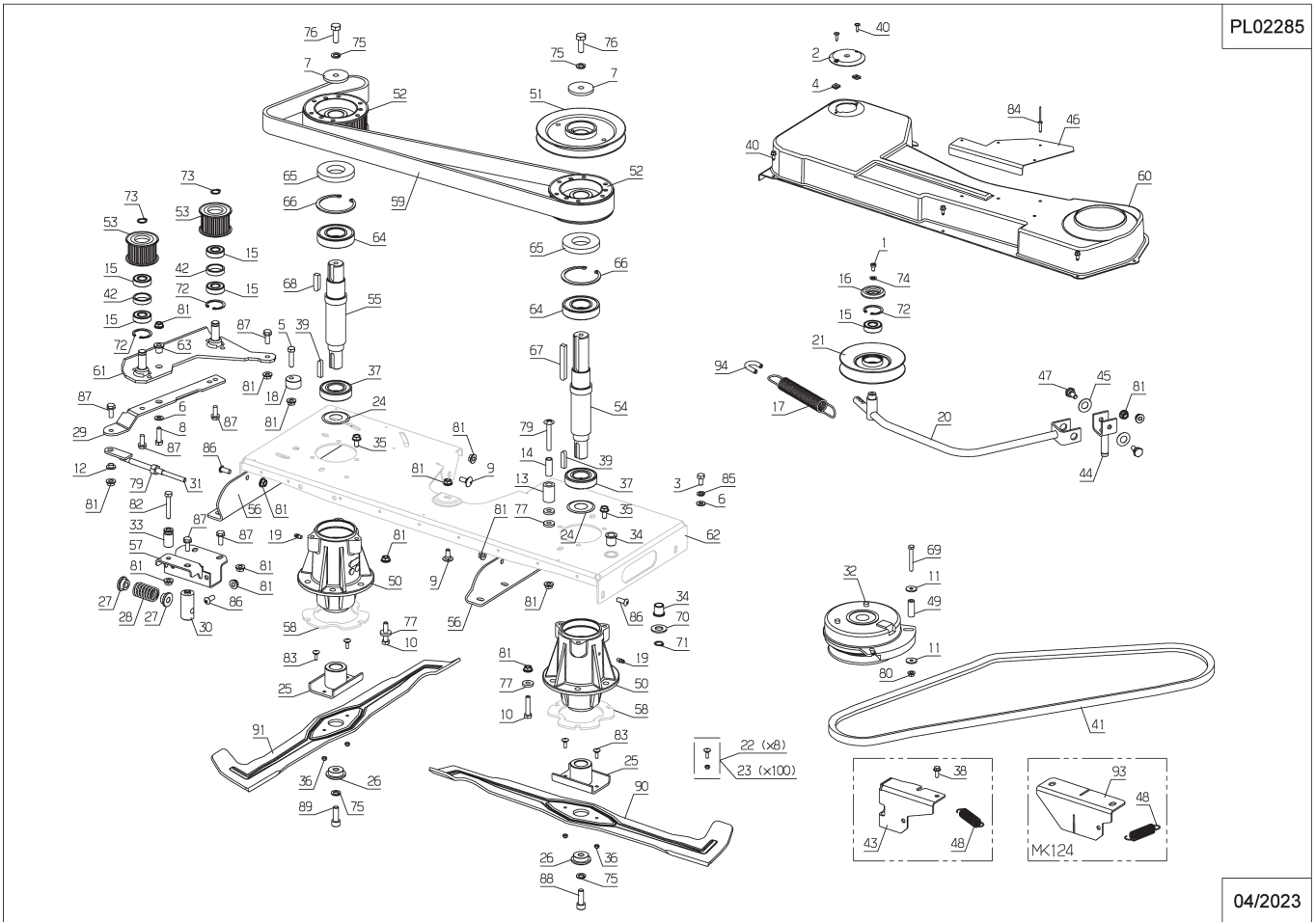


PL02285



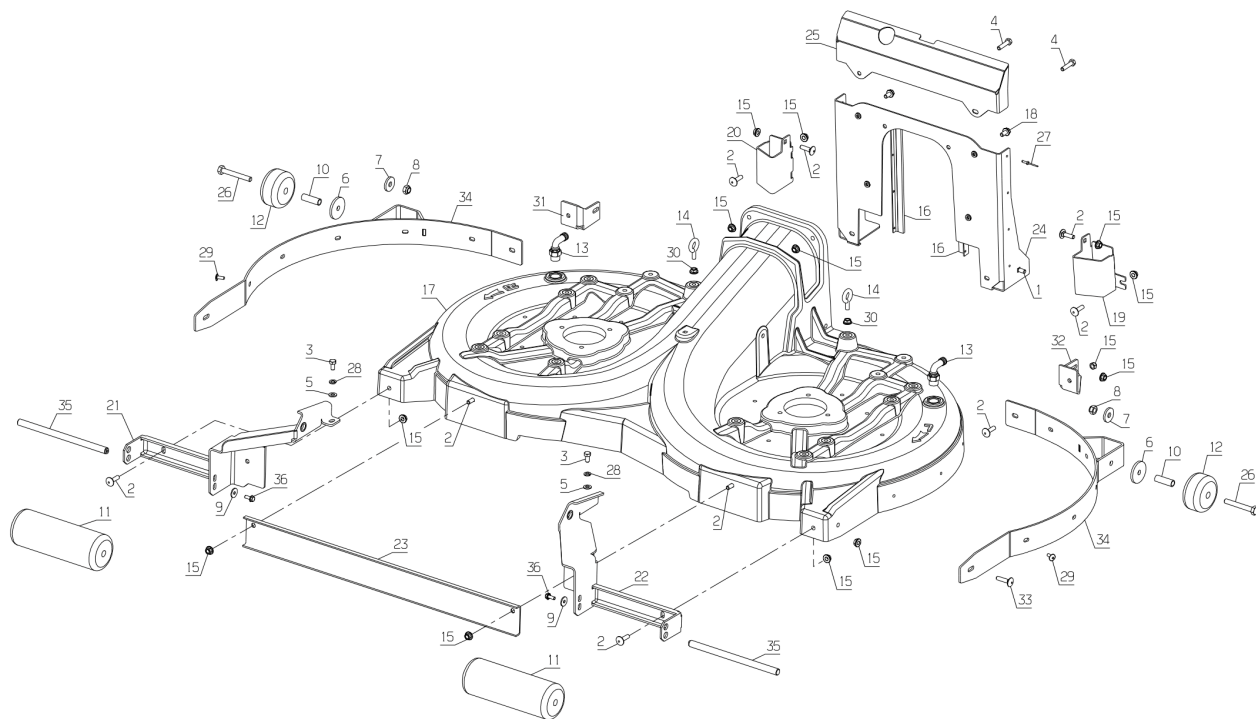
04/2023

Number	Part Number	Name	Quantity
1	5020	CHC M6X10 SCREW	1,000
2	5472	WHEEL CAP	1,000
3	6169	SCREW HM8X16	1,000
4	6178	CLIP NUT	1,000
5	7038	SCREW,DIN933 H M 8X	1,000
6	7335	WASHER	1,000
7	7341	FLAT WASHER 10,3X49	1,000
8	9061	BOLT 8X30	1,000
9	9071	SCREW M8X20	1,000
10	21114	BOLT 8X40	1,000
11	22029	FLAT WASHER 6,5	1,000
12	24052	KNUCKLE RING	1,000
13	25102	NYLON ROLLER	1,000
14	25107	ROLLSLEEVE	1,000
15	25112	BALL BEARING,6202 S	1,000
16	25117	PLUG T. ARM	1,000
17	55631	SPRING KIT	1,000
18	25131	BELT TIGHTENER WASH	1,000
19	25301	RH STD "HYDRAULIC"	1,000
20	26152	TENSIONING ARM WELD	1,000
21	26156	BELT TIGHTENER PULL	1,000
22	26157	SET OF 8 SHEARBOLTS	1,000
23	26357	100 SHEAR BOLTS	1,000
24	28530	PROTECTION WASHER	1,000
25	30442	BLADE COUP. D.25 MM	1,000
26	30898	BLADE FIX.WASHER	1,000
27	31024	ADJUST SPACER	1,000
28	31025	TENSIONNER SPRING	1,000
29	31064	TENSION.REINFORCING	1,000
30	31205	TENSIONNER BLOCK	1,000
31	31215	TENSIONNER ROD	1,000
32	35576	BLADE CLUTCH TG105	1,000
33	36047	SPRING HANG.STUD	1,000
34	37059	BUSH JFM 141822-20	1,000
35	37078	SCREW M8X16	1,000
36	37561	NUT	1,000
37	37880	BALL BEARING 6206	1,000
38	37997	SCREW HM6-16 8.8	1,000
39	38031	KEY C 8X7X35	1,000
40	53240	SCREW HM6 12,8,8 AF	1,000
41	38375	BELT 1790 MM	1,000

Number	Part Number	Name	Quantity
42	38618	SPACER 8,5MM	1,000
43	38800	CLUTCH STOP	1,000
44	39346	TENSIONNER FORK	1,000
45	39348	BELLEVILLE WASHER	1,000
46	39398	COVER PLATE	1,000
47	39416	KING BOLT	1,000
48	39427	SPRING	1,000
49	42027	BUSH 12X6,5X32,5	1,000
50	51924	BLADE BEARING	1,000
51	51925	PULLEY DP160	1,000
52	51926	PULLEY 8M	1,000
53	51927	TENSION PULLEY	1,000
54	51928	BLADE SHAFT LEFT	1,000
55	51929	BLADE SHAFT RIGHT	1,000
56	51937	PLATE SUPPORT	1,000
57	51938	TANK BRACKET	1,000
58	51941	BLADE BEARING REINF	1,000
59	51943	TOOTHED BELT	1,000
60	51944	TRANSMISSION COVER	1,000
61	51945	TENSIONNER STS	1,000
62	53243	BLADE TRS PLATE	1,000
63	52306	SPACER TENSIONNER	1,000
64	52441	BALL BEARING	1,000
65	52442	SEAL	1,000
66	52443	INTERN CIRCL 72X2,5	1,000
67	52444	KEY C FORM 75	1,000
68	52445	KEY C FORM 35	1,000
69	71023	SCREW HM 6X50	1,000
70	71034	FLAT WASHER NFE 276	1,000
71	71036	DIN 471 14X1 EXT. C	1,000
72	71039	CIRCLIP,DIN 427 35X	1,000
73	71047	CIRCLIP DIN 471 15X	1,000
74	71049	SPRING WASHER,DIN 1	1,000
75	71052	SPRING WASHER,DIN 1	1,000
76	71242	HEX.SCREW HM10X35	1,000
77	71126	FLAT WASHER,DIN 734	1,000
78	71158	HEXAGONAL NUT HM10	1,000
79	71170	BELT M8 X 60	1,000
80	71201	NUT M6	1,000
81	71205	SCREW M8	1,000
82	71223	SCREW M8X50	1,000

Number	Part Number	Name	Quantity
83	71231	SCREW JM5-16	1,000
84	71327	NAIL RIVET 4X21	1,000
85	71343	SPRING WASHER A8	1,000
86	71373	SCREW M8X20	1,000
87	71413	SCREW HM 8-20	1,000
88	71414	SCREW M10X30,10	1,000
89	71415	SCREW M10-30 L.	1,000
90	MZ124L	LEFT BLADE	1,000
91	MZ124R	RIGHT BLADE	1,000
92	-	-	1,000

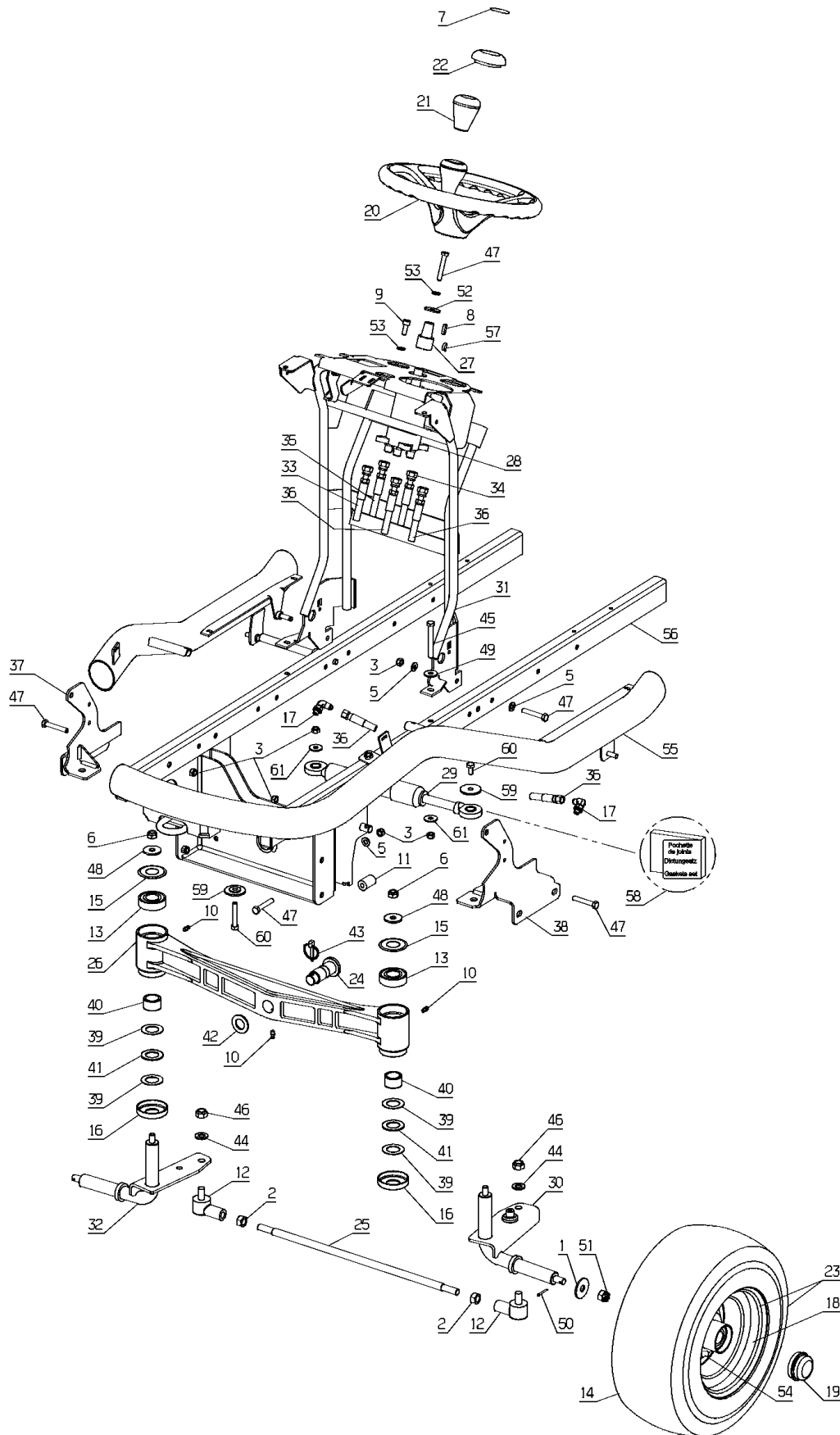
PL02286



01/2019

Number	Part Number	Name	Quantity
1	9071	SCREW M8X20	1,000
2	5041	BOLT 8X30	1,000
3	6169	SCREW HM8X16	1,000
4	7038	SCREW,DIN933 H M 8X	1,000
5	7335	WASHER	1,000
6	7341	FLAT WASHER 10,3X49	1,000
7	9009	WASHER	1,000
8	71249	SCREW M10	1,000
9	22029	FLAT WASHER 6,5	1,000
10	25014	REAR WHEEL SPACERS	1,000
11	25015	FRONT ROLLER	1,000
12	25017	REAR ROLLER	1,000
13	53091	CORNER WATER PLUG	1,000
14	25432	LIFTING RING	1,000
15	71205	SCREW M8	1,000
16	35085	SIDE BRUSH	1,000
17	35781	CUTTING DECK	1,000
18	37078	SCREW M8X16	1,000
19	35788	LEFT DECK INSELT	1,000
20	35789	RIGHT DECK INSERT	1,000
21	35888	R.ROLLER BRACKET	1,000
22	35889	L.ROLLER BRACKET	1,000
23	35892	FRONT CROSS BAR	1,000
24	37432	CUT.DEC.OUTPUT PLAT	1,000
25	52510	CUT.DECK NOZZLE	1,000
26	71032	KAWA SCREW H M10X75	1,000
27	71113	NAIL RIVET, DIA. 4X	1,000
28	71343	SPRING WASHER A8	1,000
29	71361	SCREW RL X M6X16	1,000
30	2020	NUT HM8	1,000
31	39882	RIGHT LINK PLATE	1,000
32	39883	LEFT LINK PLATE	1,000
33	71118	SCREW 8X35	1,000
34	39907	CUTTING DECK	1,000
35	53095	AXLE	1,000
36	37997	SCREW HM6-16 8.8	1,000

PL01083



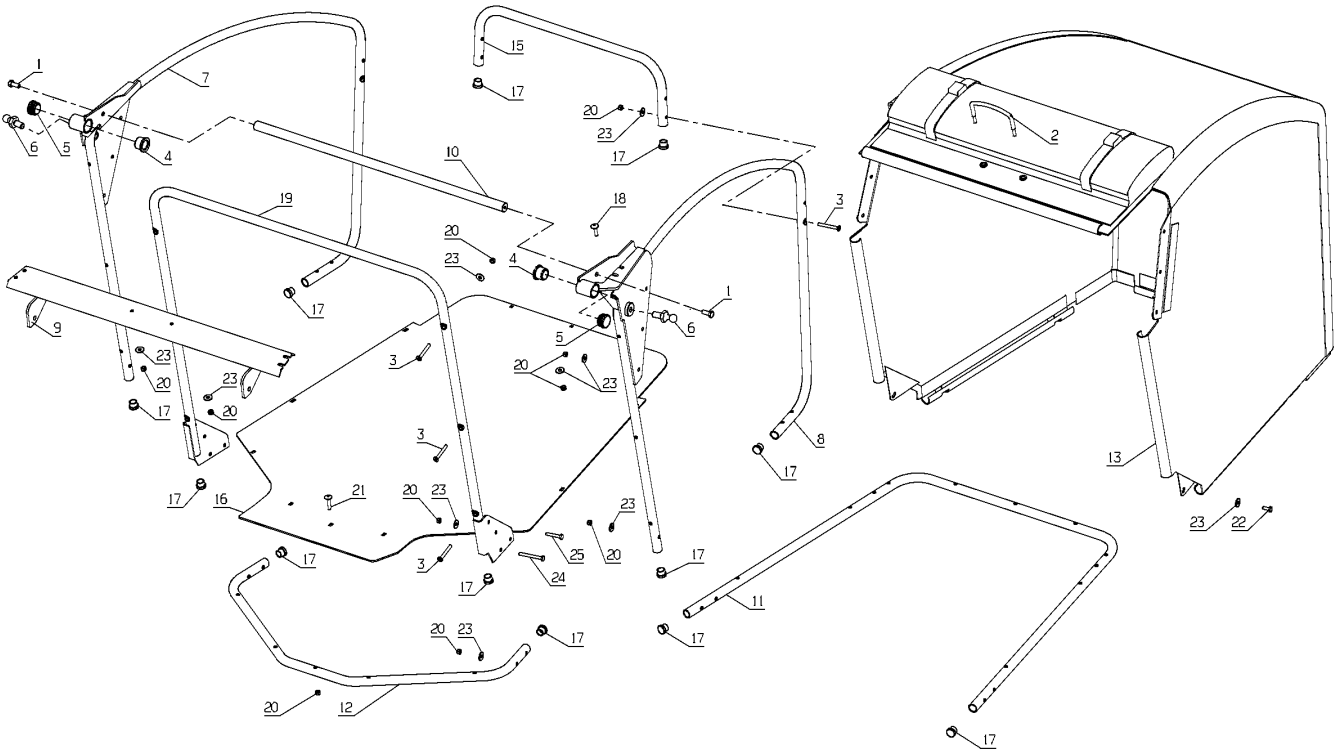
01/2016

Number	Part Number	Name	Quantity
1	1517	WASHER 13X40X3	1,000
2	1541	HEXAGON NUT,DIN 934	1,000
3	71205	SCREW M8	1,000
4	6169	SCREW HM8X16	1,000
5	7335	WASHER	1,000
6	9017	NUT HM10	1,000
7	25330	BADGE - ETESIA	1,000
8	20606	KEY 5X5X20	1,000
9	22011	BOLT M 8X20	1,000
10	25301	RH STD "HYDRAULIC"	1,000
11	25304	SPACER	1,000
12	25345	BALL JOIN M12	1,000
13	25475	SEALED BALL BEARING	1,000
14	35895	TYRE TREL 16.5X6.50	1,000
15	28530	PROTECTION WASHER	1,000
16	29158	LOWER CAP	1,000
17	29457	ADAPTER CJM	1,000
18	29508	FRONT RIM 5.50X8	1,000
19	29509	PROTECTION CAP	1,000
20	29900	STEERING WHEEL	1,000
21	29923	STEERING WHEEL GAIT	1,000
22	29978	STEERING WHEEL CAP	1,000
23	29194	FRONT WHEEL CPLT	1,000
24	31104	AXLE SHAFT	1,000
25	31109	STUB AXLE ROD	1,000
26	31115	FRONT AXLE	1,000
27	31232	STEERING WHEEL SEAT	1,000
28	31233	ORBITROL	1,000
29	31234	STEERING CYLINDER	1,000
30	31581	LEFT STUB AXLE	1,000
31	31582	STEERING BRACKET	1,000
32	31599	RIGHT STUB AXLE	1,000
33	31690	HOSE	1,000
34	31691	HOSE	1,000
35	31692	HOSE	1,000
36	31693	HOSE	1,000
37	35065	BRACKET	1,000
38	35066	BRACKET	1,000
39	35108	WASHER AS1105	1,000
40	35109	NAILBEARING HMK2520	1,000
41	35110	BEARING STOP	1,000

Number	Part Number	Name	Quantity
42	71002	FLAT WASHER,DIN 125	1,000
43	71005	SAFETY PIN,DIN 1102	1,000
44	71035	FLAT WASHER NFE 276	1,000
45	71068	HEXAGON SCREW,DIN 9	1,000
46	71157	NUT AUTOFR.HM12	1,000
47	71223	SCREW M8X50	1,000
48	71257	WASHER R11	1,000
49	71274	WASHER B8.4	1,000
50	71294	SPLIT PIN 3,2 X 22	1,000
51	71295	NUT HK M12X1,25	1,000
52	35738	WASHER 8.5X30X6	1,000
53	71343	SPRING WASHER A8	1,000
54	29626	FRONT INNER TUBE	1,000
55	31069	OUTSIDE FRAME	1,000
56	31056	INNER FRAME	1,000
57	35159	KEU 5X6.5	1,000
58	30457	GBX J.BAG OF GASKET	1,000
59	30263	WASHER	1,000
60	5340	HEXAGON SCREW,DIN 9	1,000
61	7035	FLAT WASHER	1,000

MH600

PL01109

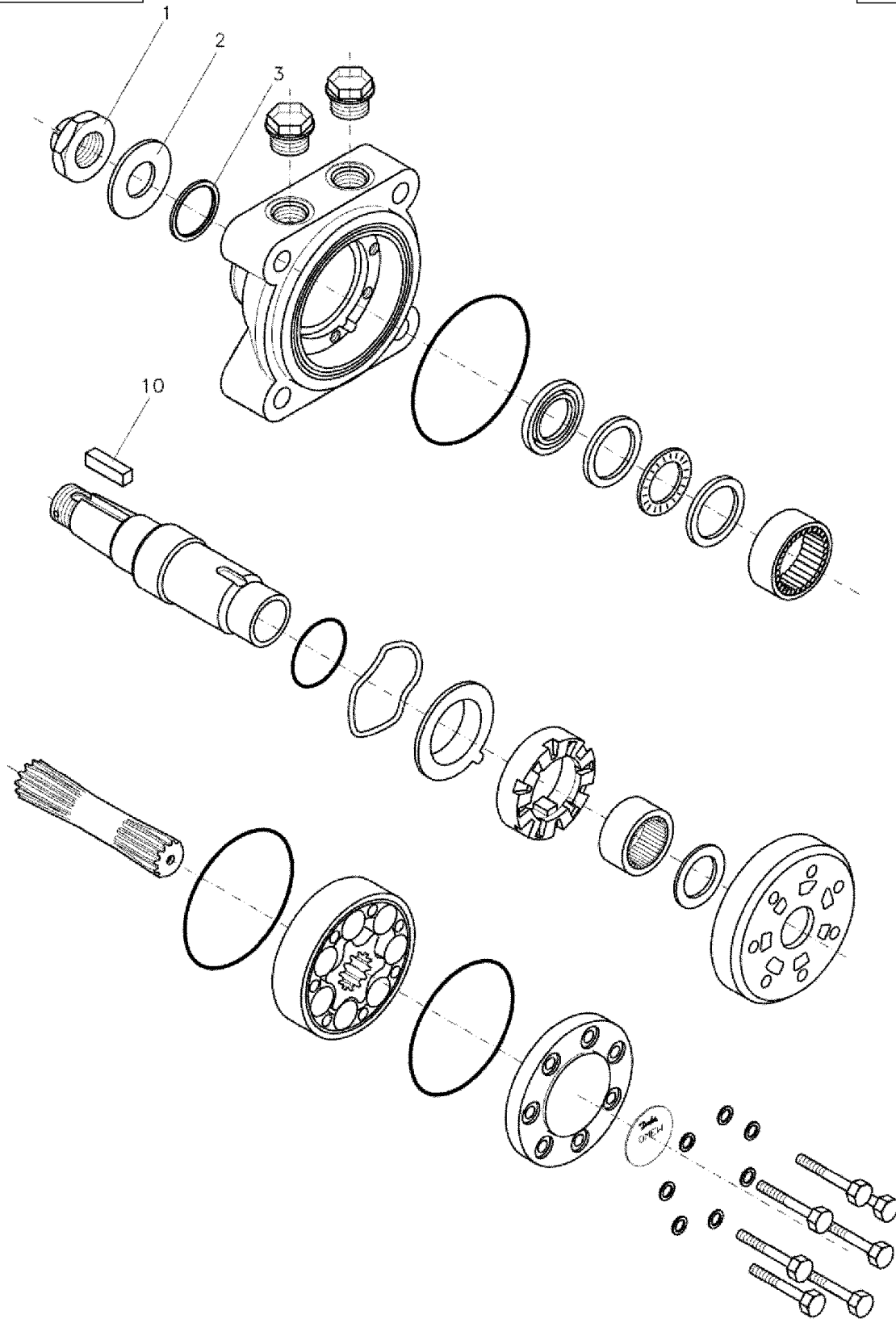


04/2011

Number	Part Number	Name	Quantity
1	71413	SCREW HM 8-20	1,000
2	7369	HANDLE	1,000
3	20571	SCREW M6 X 50	1,000
4	25416	SLEEVE PA 66 26/20X	1,000
5	29647	CAP DIA.30	1,000
6	29929	MALE SOCKET DIA 12	1,000
7	31122	BAG SIDE FRAME RIGH	1,000
8	31123	BAG SIDE FRAME LEFT	1,000
9	31124	BRACKET	1,000
10	31288	GRASBOX REINFORCING	1,000
11	31511	GRASBOX TUBE	1,000
12	31513	BRACKET	1,000
13	31516	GRASSBAG	1,000
15	31557	GRASBOX REAR TUBE	1,000
16	31559	GRASBOX BOTTOM	1,000
17	32071	TUBE CAP	1,000
18	71060	BOLT TRCC 6X25	1,000
19	31551	FRONT BOW	1,000
20	71201	NUT M6	1,000
21	71080	SCREW 6X30	1,000
22	71084	BOLT HM6X16 DIN 933	1,000
23	71096	WASHER B6,4	1,000
24	71302	SCREW H M6X55	1,000
25	71380	SCREW TH M6X35	1,000

31652 - 31657

PL01155

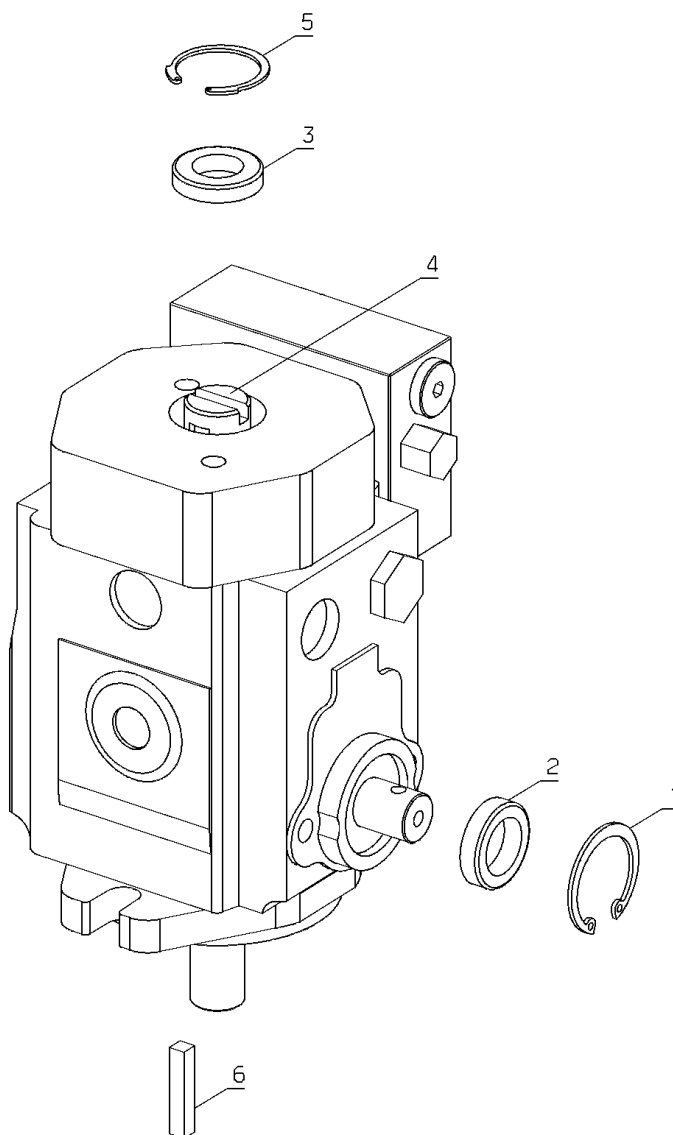


12/2006

Number	Part Number	Name	Quantity
1	34047	WHEEL ENGINE NUT	1,000
2	34048	WHEEL ENGINE WASHER	1,000
3	34049	SEAL 35X42X1.9	1,000
10	34055	KEY 6X6X20	1,000

31650

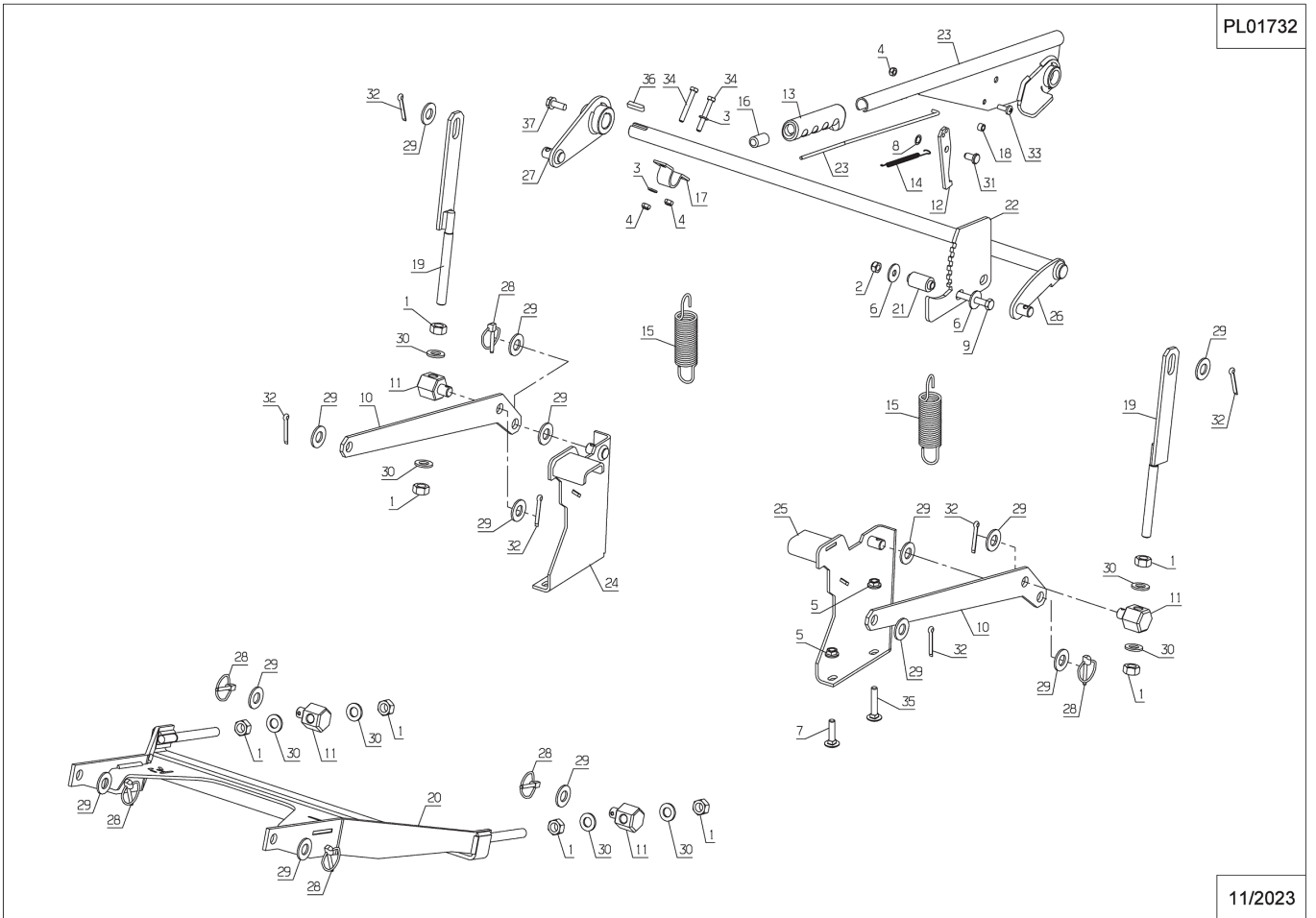
PL01280



01/2007

Number	Part Number	Name	Quantity
1	34064	CIRCLIP	1,000
2	34065	SEAL 20X30X7	1,000
3	34066	CIRCLIP	1,000
4	34067	COUPLING	1,000
5	34068	LIP SEAL	1,000
6	34069	KEY 6X6X32	1,000

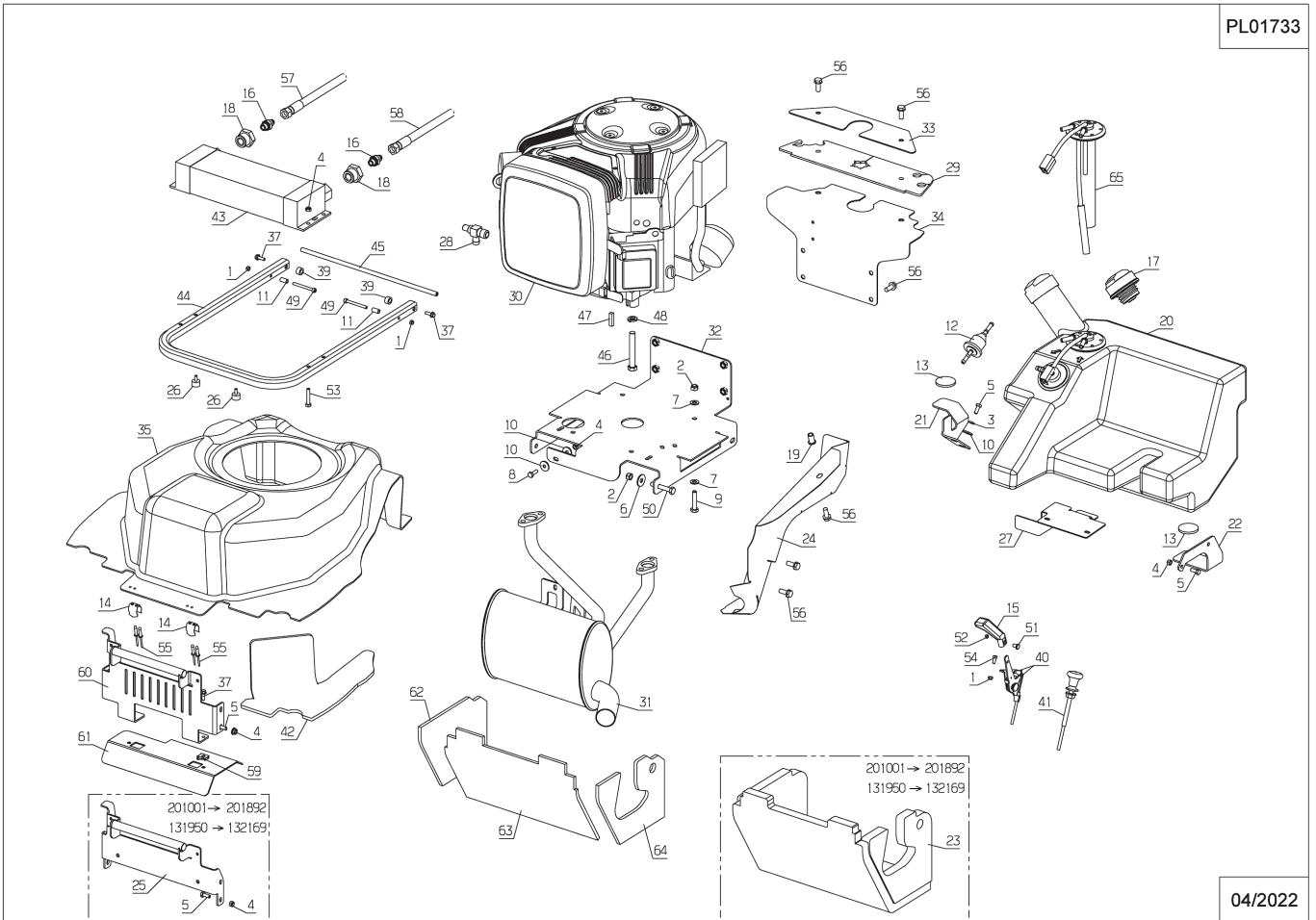
PL01732



11/2023

Number	Part Number	Name	Quantity
1	1541	HEXAGON NUT,DIN 934	1,000
2	71205	SCREW M8	1,000
3	2235	WASHER A6.4	1,000
4	71201	NUT M6	1,000
6	7035	FLAT WASHER	1,000
7	71118	SCREW 8X35	1,000
8	7377	TRUARC COLLAR DIN 7	1,000
9	21687	HEXAGON SCREW,DIN 9	1,000
10	25403	REAR ROD	1,000
11	25406	ADJUSTMENT BOLT	1,000
12	25419	RATCHET	1,000
13	25421	GRIP	1,000
14	25422	RATCHET PULL-BACK S	1,000
15	25426	SPRING	1,000
16	25429	PARKING BRAKE RELEA	1,000
17	25711	STRAP	1,000
18	25887	STEP SPACER	1,000
19	26454	REAR TIE ROD	1,000
20	53822	FRONT TIE ROD	1,000
21	31087	INDEXING SPACER	1,000
22	31361	CUTT.HEIGH.INDEXING	1,000
23	35160	STEERING ROD	1,000
24	36572	R.CUT.HEIGHT STOP	1,000
25	36573	L.CUT.HEIGT STOP	1,000
26	37767	AXLE	1,000
27	37768	RIGHT LIFTING ROD	1,000
28	71005	SAFETY PIN,DIN 1102	1,000
29	71034	FLAT WASHER NFE 276	1,000
30	71035	FLAT WASHER NFE 276	1,000
31	71041	A TYPE SHAFT,DIN 14	1,000
32	71101	COTTER PIN,DIN 94 S	1,000
33	37997	SCREW HM6-16 8.8	1,000
34	71239	HEX.SCREW HM6X45	1,000
35	20520	BOLT 8X45	1,000
36	71344	KEY 6X6X25 C FORM	1,000
37	71413	SCREW HM 8-20	1,000

PL01733



04/2022

Number	Part Number	Name	Quantity
1	37561	NUT	1,000
2	71205	SCREW M8	1,000
3	71049	SPRING WASHER,DIN 1	1,000
4	71201	NUT M6	1,000
5	37997	SCREW HM6-16 8.8	1,000
6	7035	FLAT WASHER	1,000
7	7335	WASHER	1,000
8	20507	BOLT HM 6X20	1,000
9	21114	BOLT 8X40	1,000
10	22029	FLAT WASHER 6,5	1,000
11	24846	SPACER 15X8X5,2	1,000
12	25266	FILTER FUEL	1,000
13	25879	SELF-ADHESIVE WASHE	1,000
14	25886	17/20 CUP	1,000
15	28177	GAS GRIP	1,000
16	29723	ADAPTER AJM	1,000
17	29934	TANK CAP	1,000
18	30110	REDUCER G 3/4 G1/4	1,000
19	30719	M8 INSERT	1,000
20	31100	-> 52173	1,000
21	31260	FUEL TANK BRACKET	1,000
22	31267	FUEL TANK BRACKET	1,000
23	31268	MUFFLER INSULATION	1,000
24	31327	MUFFLER COVER	1,000
25	35226	BRACKET	1,000
26	35328	RUBBER STOP	1,000
27	35404	FUEL TANK BRACKET	1,000
28	36643	ROBINET VIDANGE B&S	1,000
29	36825	PROTECTION	1,000
30	37374	ENGINE	1,000
31	53139	MUFFLER VANGUARD	1,000
32	37456	ENGINE BRACKET	1,000
33	37635	PLATE	1,000
34	37639	REAR INSULAT.PLATE	1,000
35	37720	ASPIRATION COVER	1,000
37	37996	SCREW HM5-16 8.8	1,000
39	38434	SPACER	1,000
40	38757	ACCELERATOR	1,000
41	38791	STARTER PULL	1,000
42	39390	INSULATION	1,000
43	39470	OIL RADIATOR	1,000

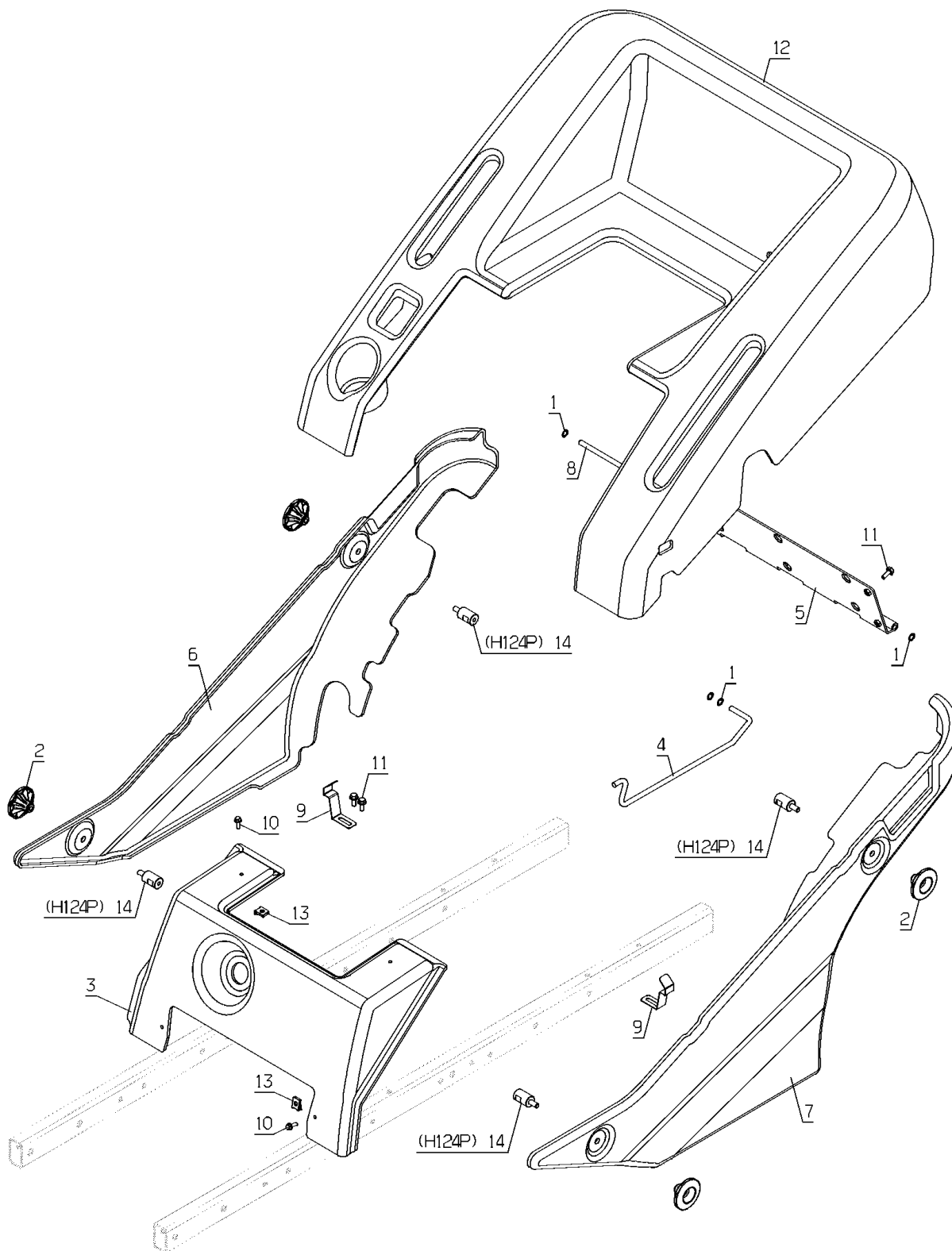
Number	Part Number	Name	Quantity
44	39483	BOW	1,000
45	39484	AXLE DIA. 8/338	1,000
46	39555	SCREW UNF 7/16" -3	1,000
47	71007	B-SHAPE KEY 6.35X6.	1,000
48	71159	WASHER 7/16"	1,000
49	71167	CHC M5X50 SCREW	1,000
50	71223	SCREW M8X50	1,000
51	71224	GAS GRIP SCREW 8-32	1,000
52	71225	GAS GRIP NUT 8-32"	1,000
53	71259	SCREW HM6X35	1,000
54	71284	SCREW HM5X12	1,000
55	71327	NAIL RIVET 4X21	1,000
56	71413	SCREW HM 8-20	1,000
57	39477	HOSE	1,000
58	39478	HOSE	1,000
59	71403	NUT	1,000
60	52670	FIXING FRONT	1,000
61	52671	HOT PROTECTION	1,000
62	52667	RIGHT INSULATION	1,000
63	52666	FRONT INSULATION	1,000
64	52668	LEFT INSULATION	1,000
65	31410	FUEL GAUGE	1,000



Number	Part Number	Name	Quantity
1	1517	WASHER 13X40X3	1,000
2	1541	HEXAGON NUT,DIN 934	1,000
3	71205	SCREW M8	1,000
4	5340	HEXAGON SCREW,DIN 9	1,000
5	7035	FLAT WASHER	1,000
6	9009	WASHER	1,000
6	71238	WASHER A10,2	1,000
7	71249	SCREW M10	1,000
7	9017	NUT HM10	1,000
8	20606	KEY 5X5X20	1,000
9	25301	RH STD "HYDRAULIC"	1,000
10	25304	SPACER	1,000
11	25329	PCV BELLOWS	1,000
12	25345	BALL JOIN M12	1,000
13	25475	SEALED BALL BEARING	1,000
14	28351	TYRE SO/NAT	1,000
14	35895	TYRE TREL 16.5X6.50	1,000
15	28530	PROTECTION WASHER	1,000
16	29158	LOWER CAP	1,000
17	29457	ADAPTER CJM	1,000
18	29508	FRONT RIM 5.50X8	1,000
19	29509	PROTECTION CAP	1,000
20	29900	STEERING WHEEL	1,000
21	29978	STEERING WHEEL CAP	1,000
22	30263	WASHER	1,000
23	29194	FRONT WHEEL CPLT	1,000
24	31104	AXLE SHAFT	1,000
25	31109	STUB AXLE ROD	1,000
26	31115	FRONT AXLE	1,000
27	30457	GBX J.BAG OF GASKET	1,000
28	31233	ORBITROL	1,000
29	31234	STEERING CYLINDER	1,000
30	31581	LEFT STUB AXLE	1,000
31	31599	RIGHT STUB AXLE	1,000
32	31690	HOSE	1,000
33	31691	HOSE	1,000
34	31692	HOSE	1,000
35	31693	HOSE	1,000
36	35108	WASHER AS1105	1,000
37	35109	NAILBEARING HMK2520	1,000
38	35110	BEARING STOP	1,000

Number	Part Number	Name	Quantity
39	35159	KEU 5X6.5	1,000
40	37672	STEERING BRACKET	1,000
41	71002	FLAT WASHER,DIN 125	1,000
42	71005	SAFETY PIN,DIN 1102	1,000
43	71068	HEXAGON SCREW,DIN 9	1,000
44	71157	NUT AUTOFR.HM12	1,000
45	71171	SCREW	1,000
46	71223	SCREW M8X50	1,000
47	71294	SPLIT PIN 3,2 X 22	1,000
48	71295	NUT HK M12X1,25	1,000
49	71311	WASHER 8X30X2,5	1,000
50	71343	SPRING WASHER A8	1,000
51	71413	SCREW HM 8-20	1,000
52	37675	STEERING WHEEL SEAT	1,000
53	29923	STEERING WHEEL GAIT	1,000

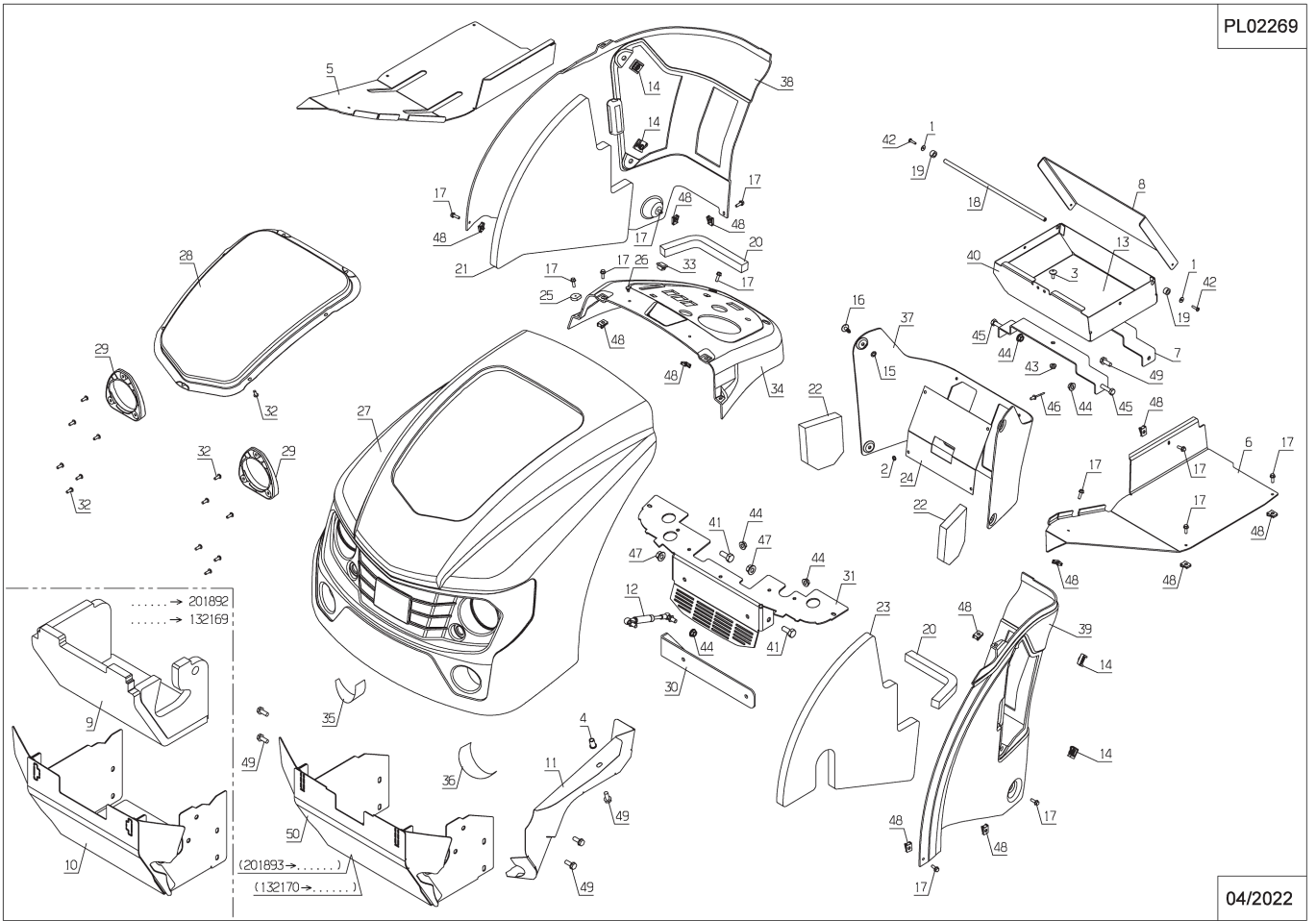
PL02268



04/2016

Number	Part Number	Name	Quantity
1	7377	TRUARC COLLAR DIN 7	1,000
2	24610	BUTTON (SMALL)	1,000
3	31082	FIXED CENTRAL COVER	1,000
4	31085	CENTRAL COVER ROD	1,000
5	31176	HINGE	1,000
6	31250	RIGHT SIDE COVER	1,000
7	31251	LEFT SIDE COVER	1,000
8	35162	AXLE	1,000
9	35745	ENGINE COVER FIX.	1,000
10	37996	SCREW HM5-16 8.8	1,000
11	37997	SCREW HM6-16 8.8	1,000
12	52176	CENTRAL COVER	1,000
13	71403	NUT	1,000
14	37364	AXLE	1,000

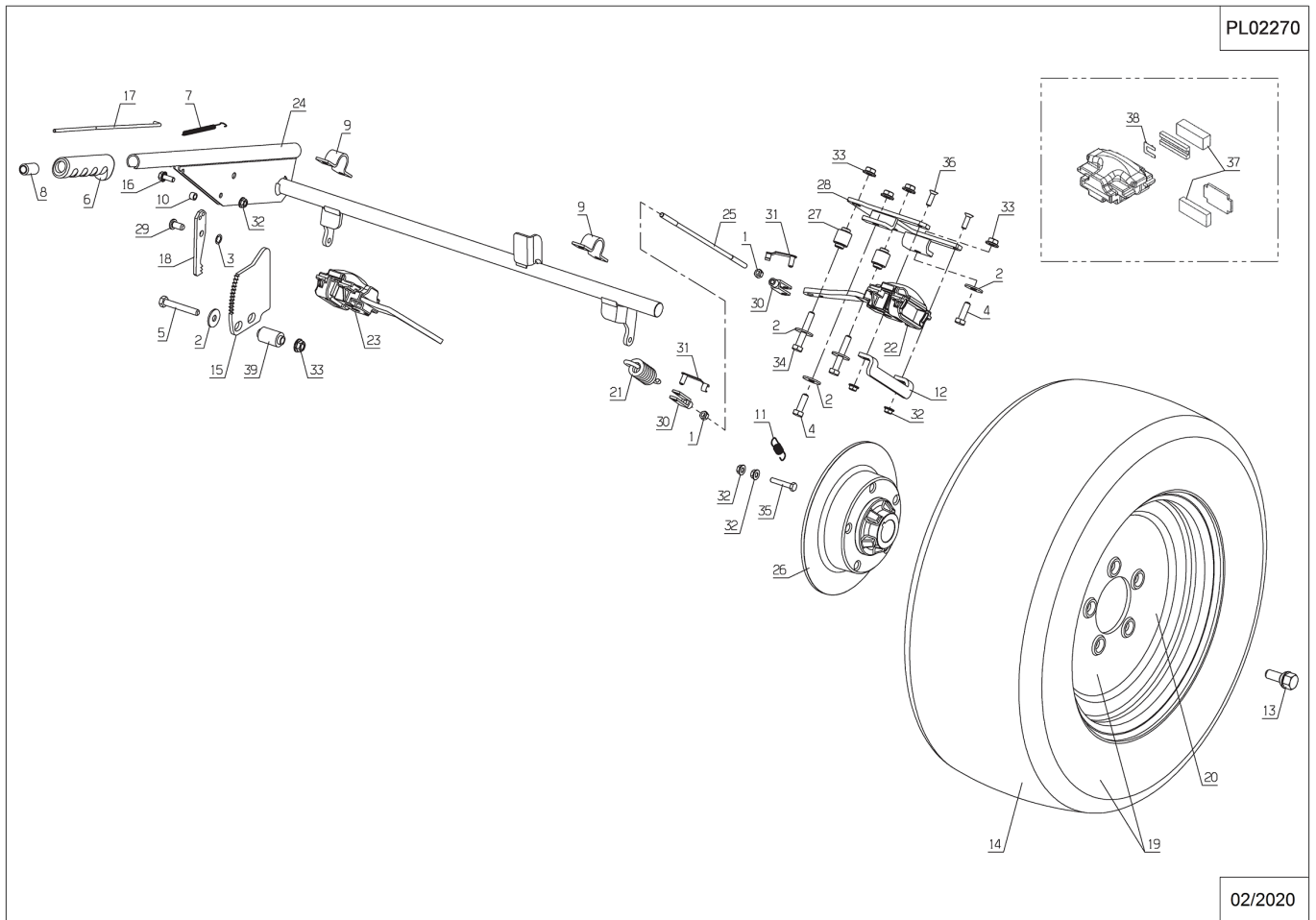
PL02269



04/2022

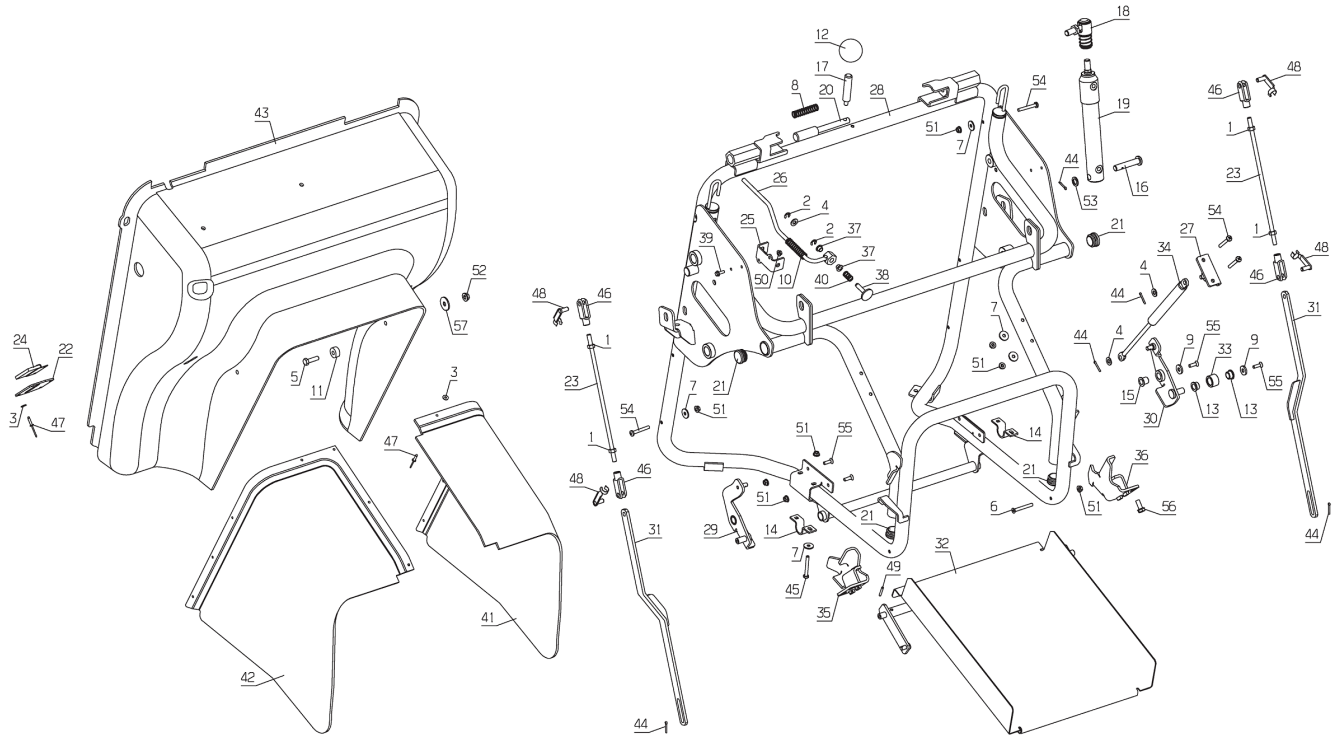
Number	Part Number	Name	Quantity
1	7094	FLAT WASHER	1,000
2	20564	WASHER 5,5	1,000
3	21608	SCREW 6X16 DIN	1,000
4	30719	M8 INSERT	1,000
5	31062	RIGHT STEP	1,000
6	31063	LEFT STEP	1,000
7	31180	TOOL BOX BRACKET	1,000
8	31182	TOOL BOX COVER	1,000
9	31268	MUFFLER INSULATION	1,000
10	31326	STEERING COVER	1,000
11	31327	MUFFLER COVER	1,000
12	32015	COVER JACK	1,000
13	35498	COVERING	1,000
14	37499	1/4 ROTATION LOCK	1,000
15	37500	1/4 ROTATION WASHER	1,000
16	37501	1/4 ROTATION SCREW	1,000
17	37996	SCREW HM5-16 8.8	1,000
18	38425	TOOL BOX AXLE	1,000
19	38434	SPACER	1,000
20	38615	REAR ISOLATION	1,000
21	38616	RIGHT ISOLATION	1,000
22	38617	MIDDLE ISOLATION	1,000
23	38639	LEFT ISOLATION	1,000
24	38662	GRID	1,000
25	38827	RUBBER WASHER	1,000
26	52102	BLOCK	1,000
27	52103	ENGINE COVER CPLT	1,000
28	52115	GRID	1,000
29	52120	INTERFACE	1,000
30	52155	GAZ SPRING BRACKET	1,000
31	52156	IMPERVIOUS PLATE	1,000
32	52231	SCREW TCS 480	1,000
33	52235	STARTER CAP	1,000
34	52475	DASH BOARD	1,000
35	52476	STICKER	1,000
36	52477	STICKER	1,000
37	52481	OBSERVATION FLAP	1,000
38	52482	ENGINE COVER RIGHT	1,000
39	52483	ENGINE COVER LEFT	1,000
40	52540	TOOL BOX	1,000
41	70086	HEXAGON SCREW,DIN 9	1,000

Number	Part Number	Name	Quantity
42	71115	RECESSED HEAD SCREW	1,000
43	71201	NUT M6	1,000
44	71205	SCREW M8	1,000
45	71223	SCREW M8X50	1,000
46	71241	NAIL RIVET 4,8X10,5	1,000
47	71249	SCREW M10	1,000
48	71403	NUT	1,000
49	71413	SCREW HM 8-20	1,000
50	52674	STEERING COVER	1,000



Number	Part Number	Name	Quantity
1	1557	NUT HM6	1,000
2	7035	FLAT WASHER	1,000
3	7377	TRUARC COLLAR DIN 7	1,000
4	9056	BOLT 8X25	1,000
5	21687	HEXAGON SCREW,DIN 9	1,000
6	25421	GRIP	1,000
7	25422	RATCHET PULL-BACK S	1,000
8	25429	PARKING BRAKE RELEA	1,000
9	25711	STRAP	1,000
10	25887	STEP SPACER	1,000
11	29144	BACK SPRING 1	1,000
12	29536	BRAKE CALIPER STOP	1,000
13	31005	WASHER KIT	1,000
14	31280	REAR TYRE	1,000
15	31360	BRAKE INDEXING	1,000
16	31997	RIGHT BLADE ENGINE	1,000
17	35207	CONTROL ROD	1,000
18	35266	RATCHET	1,000
19	37606	REAR WHEEL GREY KPL	1,000
20	37607	REAR WHEEL RIM	1,000
21	51931	SPRING	1,000
22	52097	BRAKE CALIPER M30 L	1,000
23	52098	BRAKE CALIPER M30 R	1,000
24	52215	BRAKE LEVER	1,000
25	52233	ROD	1,000
26	52262	WHEEL HUB M30	1,000
27	52322	SPACER	1,000
28	52438	BRACKET	1,000
29	71041	A TYPE SHAFT,DIN 14	1,000
30	71079	YOKE DIN 71751 6X34	1,000
31	71186	STUD 6X24	1,000
32	71201	NUT M6	1,000
33	71205	SCREW M8	1,000
34	71223	SCREW M8X50	1,000
35	71259	SCREW HM6X35	1,000
36	71381	SCREW FHC/90 M6-20	1,000
37	29851	BRAKE PAD KIT	1,000
38	34922	34922	1,000
39	31087	INDEXING SPACER	1,000

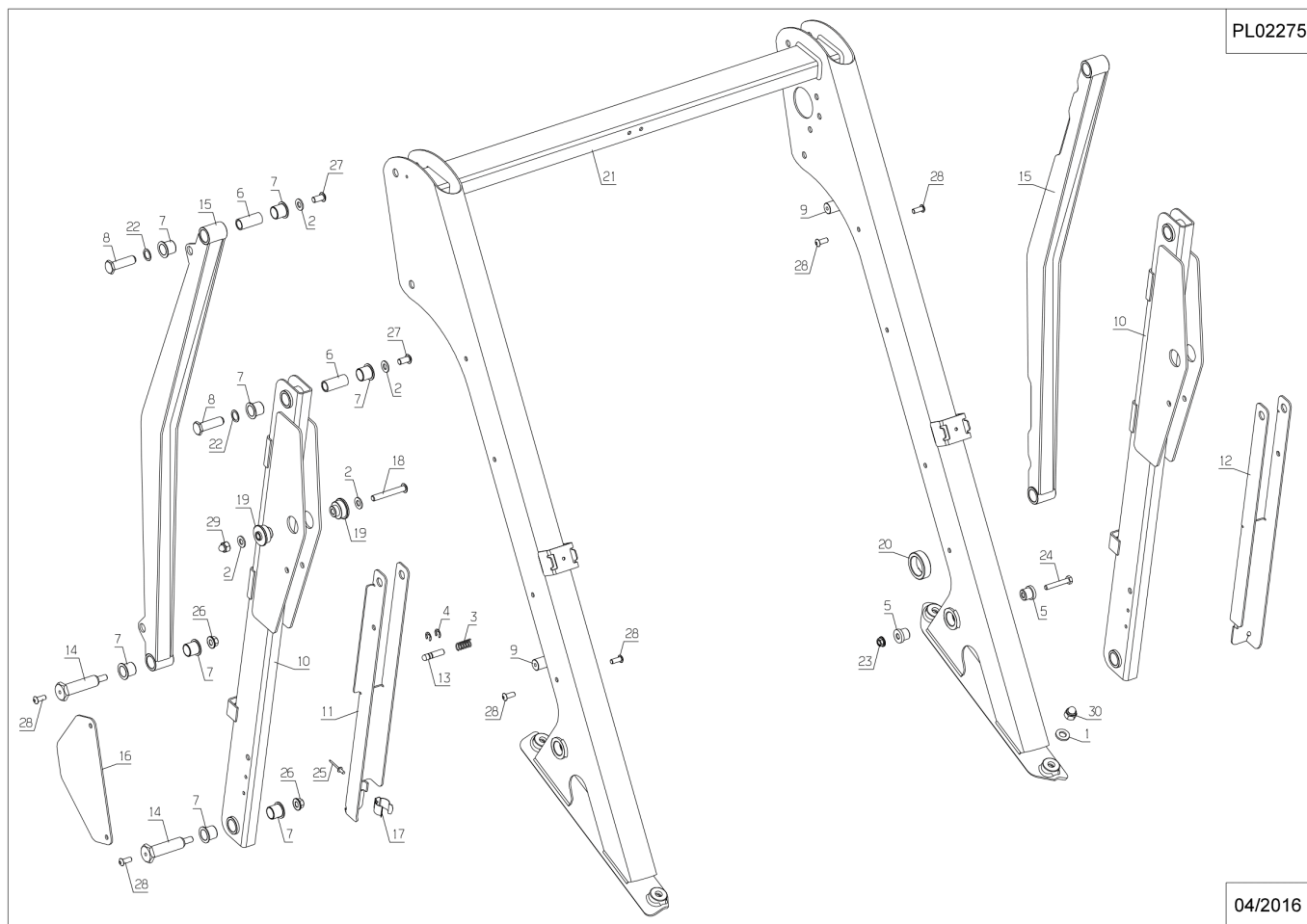
PL02274



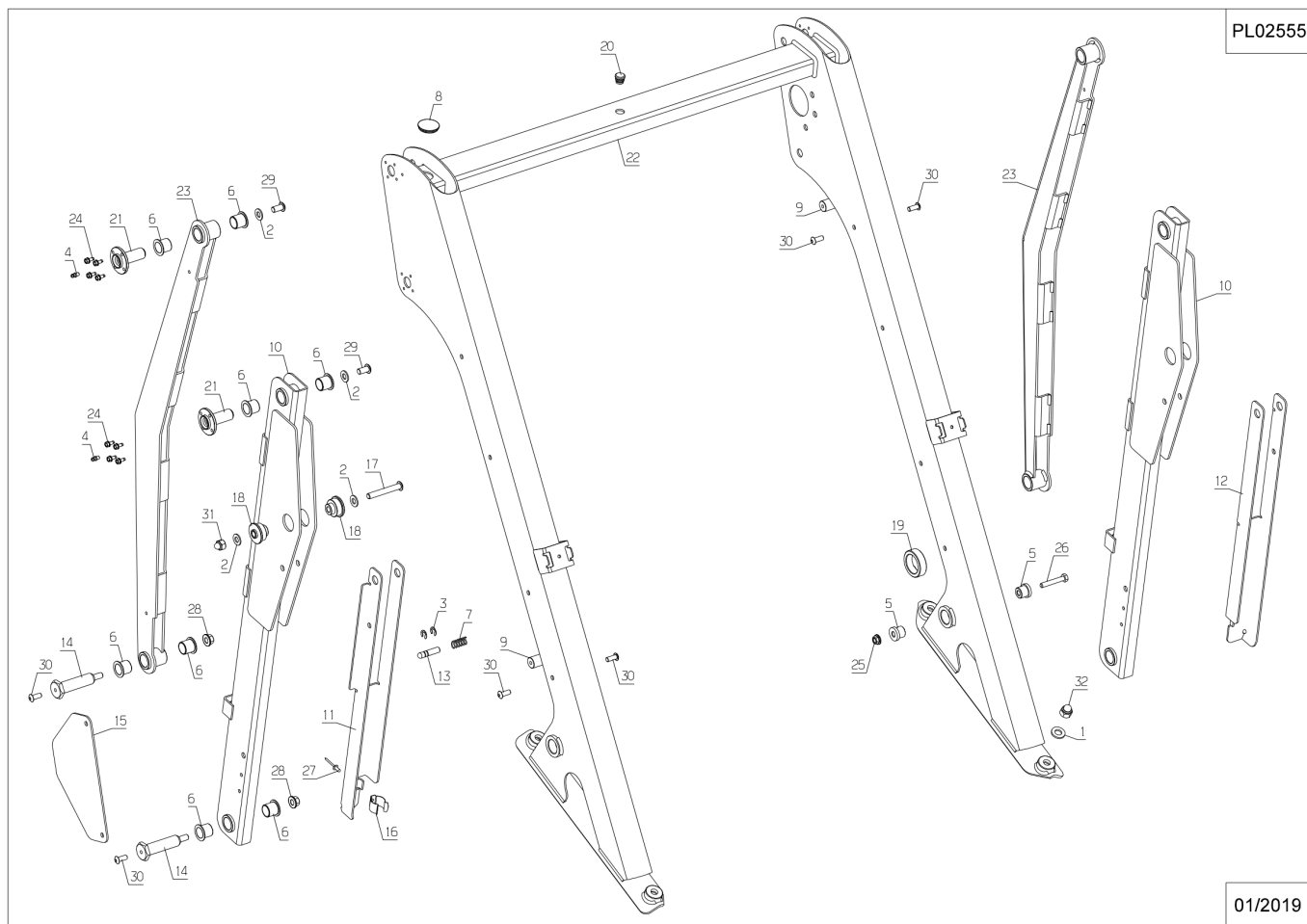
11/2023

Number	Part Number	Name	Quantity
1	2020	NUT HM8	1,000
2	5602	ANNEAU TRUARC	1,000
3	7094	FLAT WASHER	1,000
4	7335	WASHER	1,000
5	9061	BOLT 8X30	1,000
6	20571	SCREW M6 X 50	1,000
7	22029	FLAT WASHER 6,5	1,000
8	22457	CLUTCH SPRING	1,000
9	24132	SHAFT WASHER	1,000
10	24609	SPRING	1,000
11	25012	RUBBER WASHER	1,000
12	25560	LEVER PROTECTIVE	1,000
13	25564	12X16X10 PLASTIC RI	1,000
14	25711	STRAP	1,000
15	28555	SLEEVE 12/14/15	1,000
16	29333	REAR EMPT.RAM SHAFT	1,000
17	29372	BOX HANDLE	1,000
18	29378	ANGLE KNUCKLE	1,000
19	29400	G.BOX EMPTYING JACK	1,000
20	29426	GRASSBOX SHAFT	1,000
21	29647	CAP DIA.30	1,000
22	31129	REINFORCING PLATE	1,000
23	31144	ROD	1,000
24	31224	BRUCH	1,000
25	31245	REAR GUIDE	1,000
26	31401	GRASBOX SWITCH AXLE	1,000
27	31533	GAS JACK PLATE	1,000
28	31549	FIX.GRASBOX	1,000
29	31552	RIGHT BOTTOM ROD	1,000
30	31553	LEFT BOTTOM ROD	1,000
31	31560	CONTROL LINK	1,000
32	31566	BOTTOM	1,000
33	31571	SMALL WHEEL	1,000
34	31588	GAZ CYLINDER	1,000
35	35082	RIGHT KEY	1,000
36	35083	LEFT KEY	1,000
37	35103	SLEEVE 8/10/07	1,000
38	35107	AXLE	1,000
39	37996	SCREW HM5-16 8.8	1,000
40	40173	ADJUST - SPRING.	1,000
41	52485	FR.L. FIXED GRASBOX	1,000

Number	Part Number	Name	Quantity
42	52486	FR.R. FIXED GRASBOX	1,000
43	52487	FIXED GRASBOX	1,000
44	71018	V3,2 SPLIT PIN	1,000
45	71023	SCREW HM 6X50	1,000
46	71077	YOKE DIN 71751 8X32	1,000
47	71112	DIA.4X18 STAR RIVET	1,000
48	71169	STUD 8X32	1,000
49	71188	PIN 4-26	1,000
50	71200	SCREW M5	1,000
51	71201	NUT M6	1,000
52	71205	SCREW M8	1,000
53	71336	WASHER 13X20X2	1,000
54	71337	SCREW M6X45 4.8	1,000
55	71381	SCREW FHC/90 M6-20	1,000
56	71413	SCREW HM 8-20	1,000
57	71311	WASHER 8X30X2,5	1,000

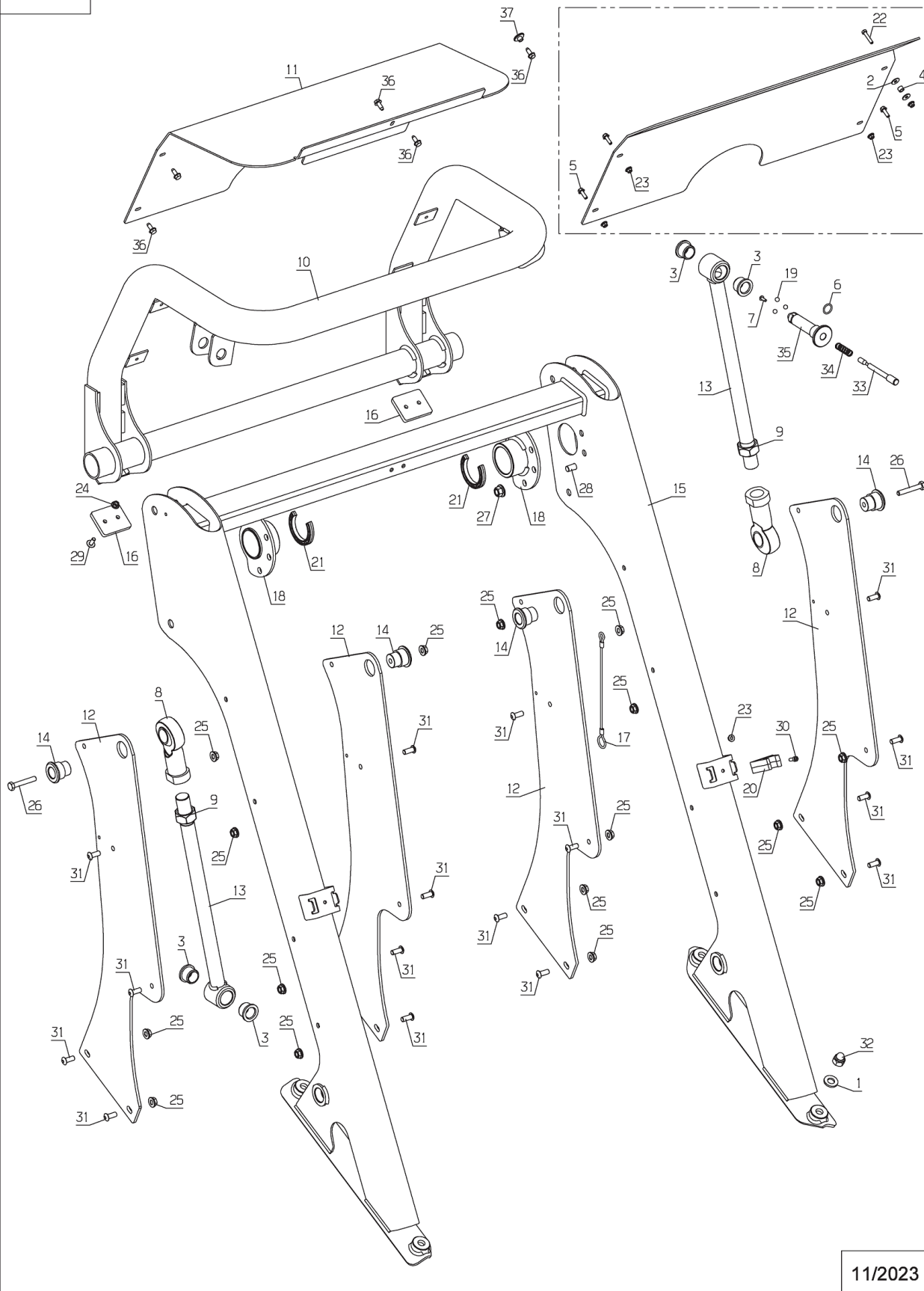


Number	Part Number	Name	Quantity
1	1560	FLAT WASHER 13X25X3	1,000
2	21036	FLAT WASHER 10.5	1,000
3	24647	SPRING	1,000
4	24684	TRUARC RING	1,000
5	29336	UP.LOCH RAM SHAFT	1,000
6	29350	G.BOX CRANE SPACER	1,000
7	29427	SLEEVE 20/23/21	1,000
8	29770	CRANE ARM SHAFT	1,000
9	31219	HIGH LIFT BEAM AXLE	1,000
10	31222	LOWER LIFTER ARM	1,000
11	31247	PLATE	1,000
12	31248	LEFT BLOCKING ARM	1,000
13	31291	BLOCKING ARM AXLE	1,000
14	31541	GRASBOX ARM AXLE	1,000
15	31546	UPPER ARM	1,000
16	31666	HOSE PROTECTION	1,000
17	35064	KLAMP 26-30	1,000
18	35834	SCREW HCM10-70.8.8	1,000
19	35835	SPACER	1,000
20	52412	CYLINDER STOP ROPS	1,000
21	52446	ROPS BOW	1,000
22	71016	WASHER 16X22X1	1,000
23	71205	SCREW M8	1,000
24	71223	SCREW M8X50	1,000
25	71241	NAIL RIVET 4,8X10,5	1,000
26	71249	SCREW M10	1,000
27	71354	SCREW B HC M10X20	1,000
28	71373	SCREW M8X20	1,000
29	71374	CAP NUT M10	1,000
30	71375	CAP NUT M12	1,000



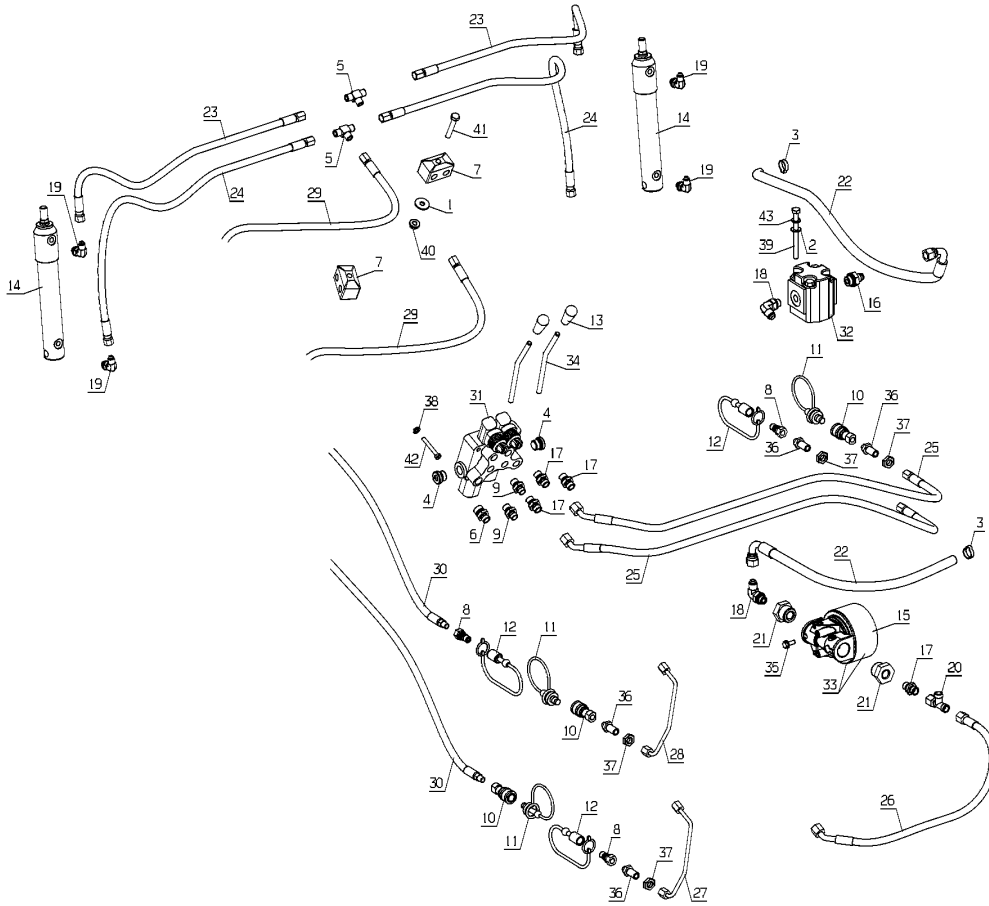
Number	Part Number	Name	Quantity
1	1560	FLAT WASHER 13X25X3	1,000
2	21036	FLAT WASHER 10.5	1,000
3	24684	TRUARC RING	1,000
4	25301	RH STD "HYDRAULIC"	1,000
5	29336	UP.LOCH RAM SHAFT	1,000
6	29427	SLEEVE 20/23/21	1,000
7	29647	CAP DIA.30	1,000
8	29667	CONSOLE CAP	1,000
9	31219	HIGH LIFT BEAM AXLE	1,000
10	31222	LOWER LIFTER ARM	1,000
11	31247	PLATE	1,000
12	31248	LEFT BLOCKING ARM	1,000
13	31291	BLOCKING ARM AXLE	1,000
14	31541	GRASBOX ARM AXLE	1,000
15	31666	HOSE PROTECTION	1,000
16	35064	KLAMP 26-30	1,000
17	35834	SCREW HCM10-70.8.8	1,000
18	35835	SPACER	1,000
19	52412	CYLINDER STOP ROPS	1,000
21	53198	BEAM ARM SHAFT	1,000
22	53205	ROPS BOW	1,000
23	53208	LIFT UP ARM	1,000
24	53240	SCREW HM6 12,8,8 AF	1,000
25	71205	SCREW M8	1,000
26	71223	SCREW M8X50	1,000
27	71241	NAIL RIVET 4,8X10,5	1,000
28	71249	SCREW M10	1,000
29	71354	SCREW B HC M10X20	1,000
30	71373	SCREW M8X20	1,000
31	71374	CAP NUT M10	1,000
32	71375	CAP NUT M12	1,000

PL02276



Number	Part Number	Name	Quantity
1	1560	FLAT WASHER 13X25X3	1,000
2	21481	WASHER	1,000
3	25416	SLEEVE PA 66 26/20X	1,000
4	25887	STEP SPACER	1,000
5	37996	SCREW HM5-16 8.8	1,000
6	28762	GASKET 10,77 X 2,6	1,000
7	38130	SCREW M4X12,4.6	1,000
8	50375	LINK BALL DIAM 25	1,000
9	51296	NUT HM24.8	1,000
10	52391	MOB. ROPS BOW	1,000
11	53249	RUBBER FLAPPER (LG)	1,000
12	52403	REINFORCEMENT LEFT	1,000
13	52425	REINF. BAR ROPS	1,000
14	52428	SPACER ROPS	1,000
15	52446	ROPS BOW	1,000
16	52453	RUBBER STOP	1,000
17	52458	CORD ROPS	1,000
18	52464	PIVOT ROPS	1,000
19	52801	BALL DIA. 7.15	1,000
20	52493	CLIP 22-24	1,000
21	52562	STOP ROPS	1,000
22	71135	SCREW 5X25	1,000
23	71200	SCREW M5	1,000
24	71201	NUT M6	1,000
25	71205	SCREW M8	1,000
26	71223	SCREW M8X50	1,000
27	71249	SCREW M10	1,000
28	71354	SCREW B HC M10X20	1,000
29	71361	SCREW RL X M6X16	1,000
30	71370	HEX.SCREW M5X16	1,000
31	71373	SCREW M8X20	1,000
32	71375	CAP NUT M12	1,000
33	52800	PIN AXLE	1,000
34	52811	SPRING	1,000
35	52799	PIN	1,000
36	38408	SCREW HM6-16 8,8	1,000
37	29798	SPACER SCREEN GUIDE	1,000

PL02277

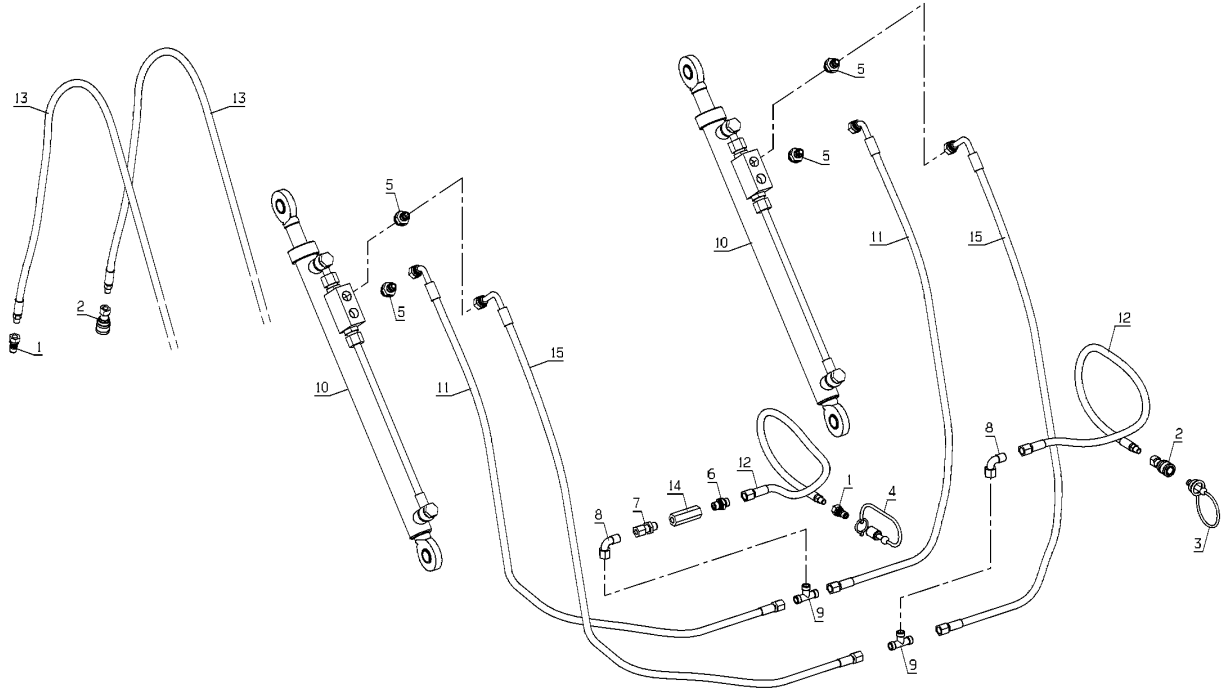


04/2016

Number	Part Number	Name	Quantity
1	7035	FLAT WASHER	1,000
2	7335	WASHER	1,000
3	25694	CLAMPING RING 16	1,000
4	27021	DISTRIB. PLUG 3/8"	1,000
5	27022	T CONNECTION	1,000
6	27097	UNION 3/8"-14X150	1,000
7	27111	-> 27111X2 + 52797	1,000
8	27116	MALE COUPLER 1/8	1,000
9	27120	UNION 1/4"-12X150	1,000
10	27122	FEMALE COUPLER 1/8	1,000
11	27125	COUPLER CAP	1,000
12	27126	COUPLER HOOD	1,000
13	27131	DISTRIB. LEVER HAND	1,000
14	29400	G.BOX EMPTYING JACK	1,000
15	29408	FILTER	1,000
16	29456	ADAPTER AJM	1,000
17	29462	ADAPTER UMA	1,000
18	29464	ADAPTER CJM	1,000
19	29468	ADAPTER CJM	1,000
20	29471	TELAR ADAPTER	1,000
21	30110	REDUCER G 3/4 G1/4	1,000
22	31601	HOSE	1,000
23	31604	HOSE	1,000
24	31605	HOSE	1,000
25	31606	HOSE	1,000
26	31612	HOSE	1,000
27	31613	TUBE	1,000
28	31614	TUBE	1,000
29	55491	HOSE	1,000
30	31627	HOSE	1,000
31	31636	DISTRIBUTOR BM20/2	1,000
32	52740	PUMP 3.2 CC	1,000
33	31655	RETURN FILTER	1,000
34	35175	CONTROL LEVER	1,000
35	37997	SCREW HM6-16 8.8	1,000
36	52222	UNION	1,000
37	52223	NUT HM12 X 1.5	1,000
38	71049	SPRING WASHER,DIN 1	1,000
39	71199	SCREW HM8X90	1,000
40	71205	SCREW M8	1,000
41	71223	SCREW M8X50	1,000

Number	Part Number	Name	Quantity
42	71342	SCREW M6X45 8.8	1,000
43	71343	SPRING WASHER A8	1,000

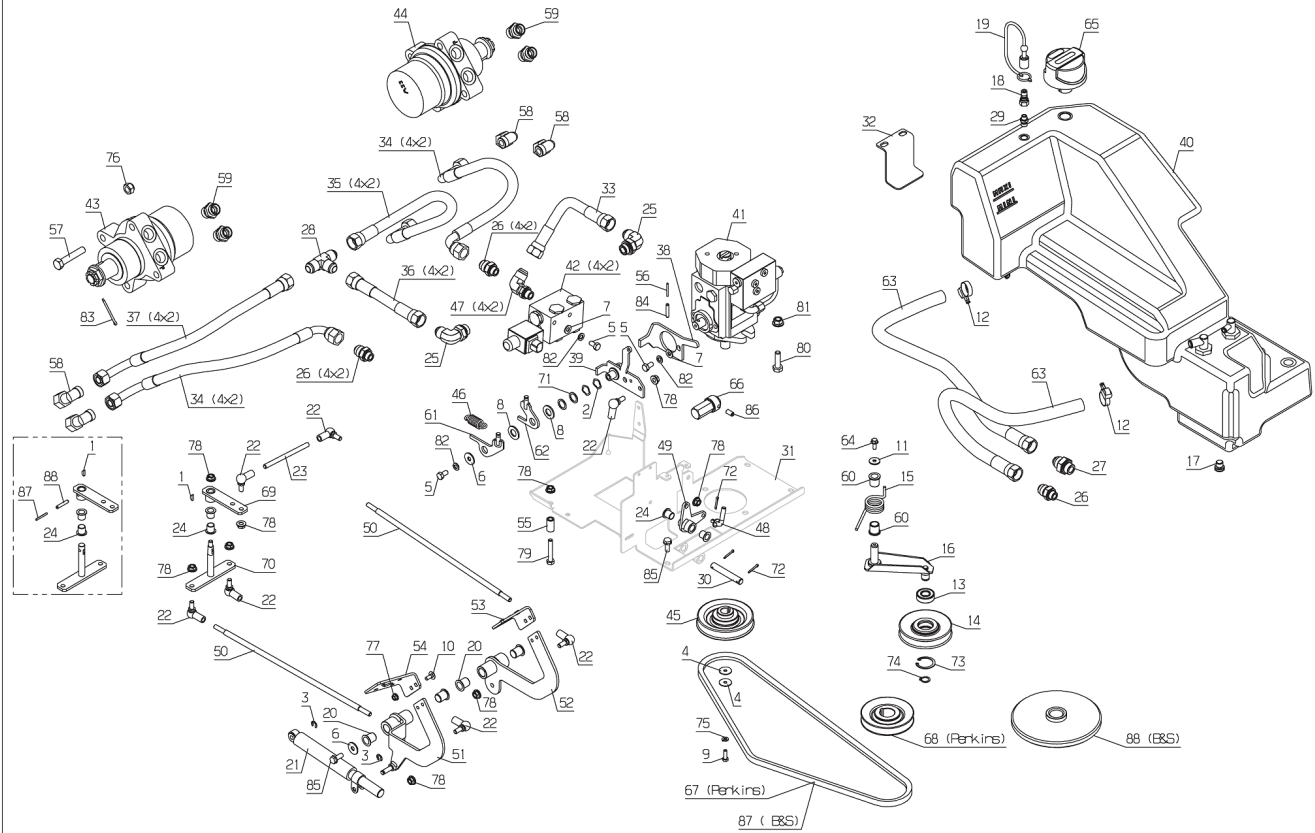
PL02278



04/2016

Number	Part Number	Name	Quantity
1	27116	MALE COUPLER 1/8	1,000
2	27122	FEMALE COUPLER 1/8	1,000
3	27125	COUPLER CAP	1,000
4	27126	COUPLER HOOD	1,000
5	29456	ADAPTER AJM	1,000
6	29462	ADAPTER UMA	1,000
7	30054	ADAPT.GM 1/4" F8L	1,000
8	30108	CONNECTOR 8L 90°	1,000
9	30109	T CONNECTOR 8L	1,000
10	31191	HYD.CYLINDER	1,000
11	31608	HOSE	1,000
12	31616	HOSE	1,000
13	31627	HOSE	1,000
14	31633	FLOW LIMITER	1,000
15	35208	HOSE	1,000

PL02279



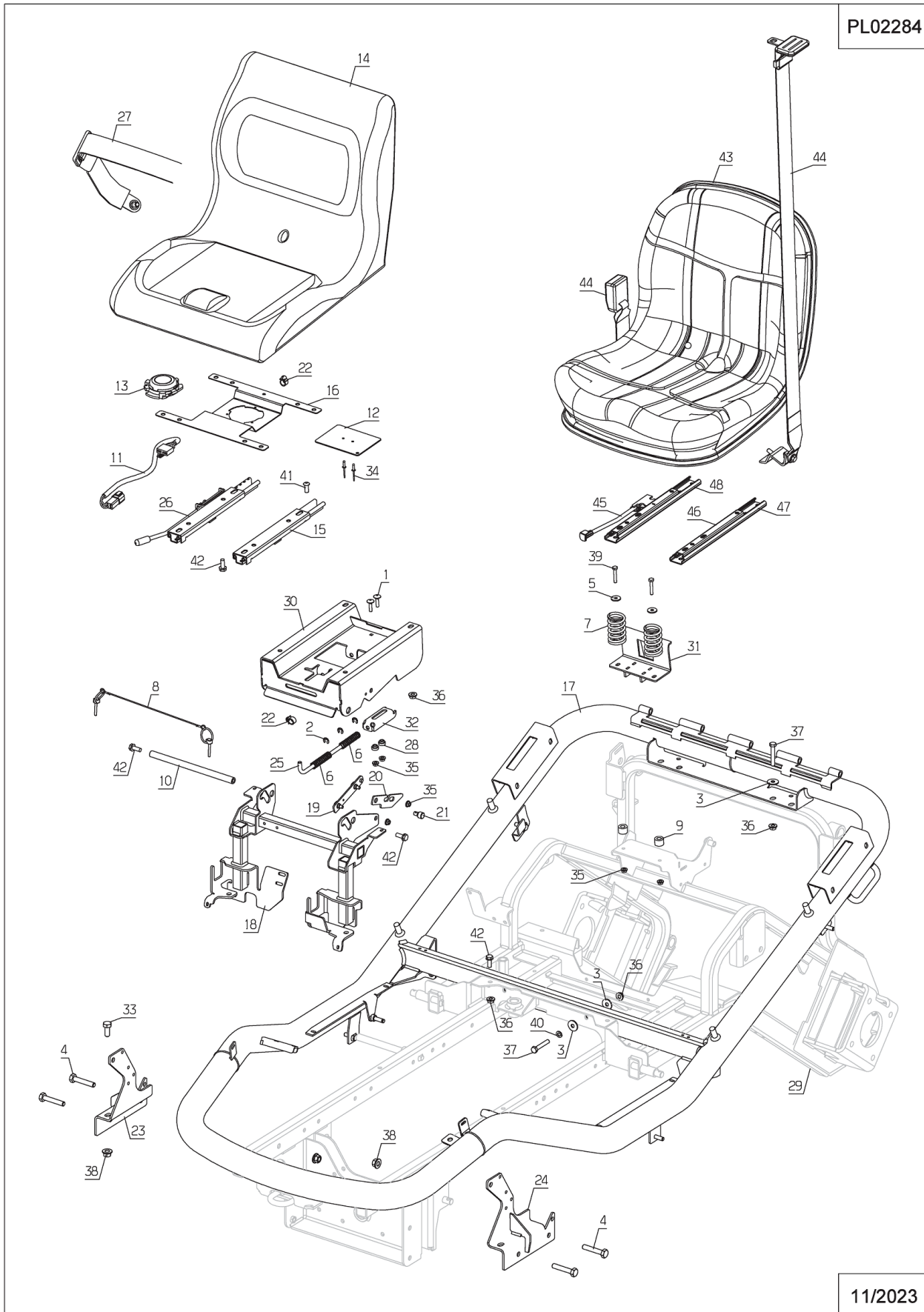
04/2022

Number	Part Number	Name	Quantity
1	3017	KEY 4X5	1,000
2	5411	WASHER	1,000
3	5602	ANNEAU TRUARC	1,000
4	5604	WASHER	1,000
5	6169	SCREW HM8X16	1,000
6	7035	FLAT WASHER	1,000
7	7335	WASHER	1,000
8	9034	NYLON WASHER	1,000
9	20507	BOLT HM 6X20	1,000
10	21608	SCREW 6X16 DIN	1,000
11	22029	FLAT WASHER 6,5	1,000
12	25007	COLLAR 16/27	1,000
13	25112	BALL BEARING,6202 S	1,000
14	25509	TENSIONING PULLEY	1,000
15	25511	UPPER BELT TIGHTENE	1,000
16	26511	SPA UPPER BELT TIGH	1,000
17	27098	DISTRIB.PLUG 1/4	1,000
18	27116	MALE COUPLER 1/8	1,000
19	27126	COUPLER HOOD	1,000
20	28070	SLEEVE 15/17/20	1,000
21	28143	SHOCK ABSORBER	1,000
22	28234	KNUCKLE M8	1,000
23	28508	PARKING BRAKE ROD	1,000
24	28555	SLEEVE 12/14/15	1,000
25	29450	ADAPTER CJM	1,000
26	29459	ADAPTER AJM	1,000
27	29466	ADAPTER AJM	1,000
28	29470	ADAPTER HJM	1,000
29	29962	UNION 6L 1/8	1,000
30	31067	DRIVING SHAFT	1,000
31	31077	PUMP BRACKET	1,000
32	31256	HYD. TANK BRACKET	1,000
33	31619	HOSE	1,000
34	31620	HOSE	1,000
35	31621	HOSE	1,000
36	31622	HOSE	1,000
37	31628	HOSE	1,000
38	31643	DEAD POINT ADJUST.	1,000
39	31646	PUMP ROD	1,000
40	31649	HYD. TANK	1,000
41	31650	TRANSMISSION PUMP	1,000

Number	Part Number	Name	Quantity
42	31651	FLOW DIVIDER	1,000
43	31652	R.WHEEL ENG.2046	1,000
44	31657	L.WHEEL ENGINE 2047	1,000
45	31658	PULLEY	1,000
46	31659	SPRING	1,000
47	31660	ADAPTER	1,000
48	31669	PUMP LEVER ROD	1,000
49	31672	CORNER CONTROL	1,000
50	31681	PEDAL ROD	1,000
51	31686	FOR ROD	1,000
52	31687	BACK ROD	1,000
53	31688	FORWARD PEDAL	1,000
54	31689	REVERSE PEDAL	1,000
55	31694	SPACER	1,000
56	35290	SPIRAL PIN 3X30	1,000
57	35356	SCREW HM12-65	1,000
58	35406	ADAPTER 15L F15L	1,000
59	35407	ADAPTER M22X1.5 15L	1,000
60	37059	BUSH JFM 141822-20	1,000
61	37545	ROD	1,000
62	37546	ROD	1,000
63	37572	HOSE	1,000
64	37997	SCREW HM6-16 8.8	1,000
65	38562	AIR FILTER	1,000
66	38626	BY PASS EXTENSION	1,000
67	50772	BELT TA	1,000
68	50904	PULLEY WARNER	1,000
69	51304	LEVER	1,000
70	52397	CORNER PEDAL CPLT	1,000
71	71016	WASHER 16X22X1	1,000
72	71018	V3,2 SPLIT PIN	1,000
73	71039	CIRCLIP,DIN 427 35X	1,000
74	71047	CIRCLIP DIN 471 15X	1,000
75	71049	SPRING WASHER,DIN 1	1,000
76	71157	NUT AUTOFR.HM12	1,000
77	71201	NUT M6	1,000
78	71205	SCREW M8	1,000
79	71223	SCREW M8X50	1,000
80	71242	HEX.SCREW HM10X35	1,000
81	71249	SCREW M10	1,000
82	71343	SPRING WASHER A8	1,000

Number	Part Number	Name	Quantity
83	71345	SPLIT PIN 4-45	1,000
84	71390	SPIRAL PIN 5-30	1,000
85	71413	SCREW HM 8-20	1,000
86	71420	IN.HEX SCREW M8X16	1,000
87	53096	BELT	1,000
88	38816	PULLEY	1,000

PL02284

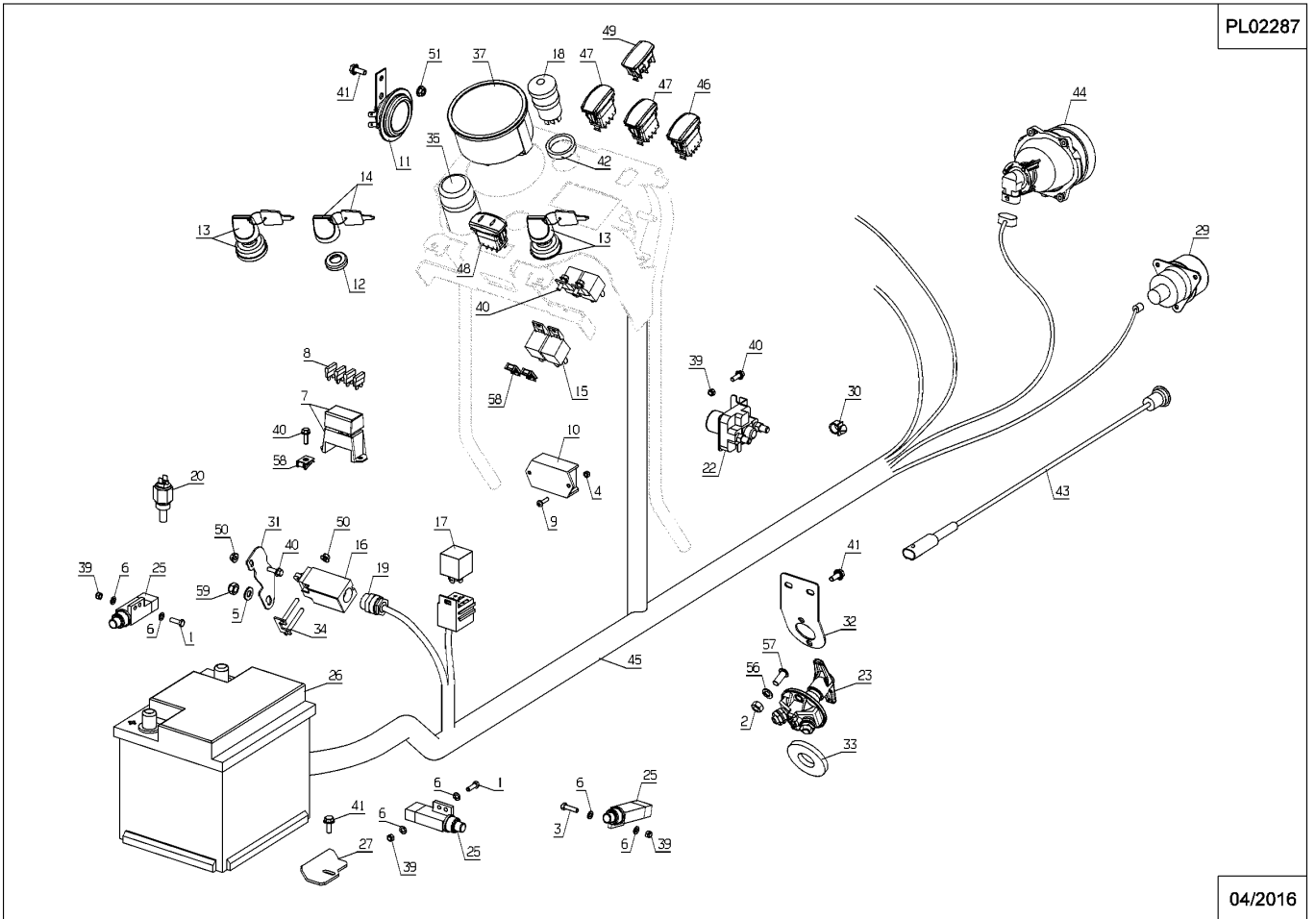


11/2023

Number	Part Number	Name	Quantity
1	5494	SCREW J M6-25	1,000
2	5602	ANNEAU TRUARC	1,000
3	7035	FLAT WASHER	1,000
4	22009	HEX.SCREW M10X55	1,000
5	22029	FLAT WASHER 6,5	1,000
6	24609	SPRING	1,000
7	25958	SEAT SPRING	1,000
8	28075	SAFETY PIN & CHAIN	1,000
9	28296	SPACER	1,000
10	28315	FR.ROLLER SHAFT 96	1,000
11	30688	SEAT WIRING	1,000
12	30689	USER DETECT.PLATE	1,000
13	30690	SEAT SWITCH	1,000
14	30691	SEAT	1,000
15	30714	SEAT GUIDE LEFT	1,000
16	30718	SWITCH PLATE	1,000
17	31069	OUTSIDE FRAME	1,000
18	31088	SEAT BRACKET	1,000
19	31329	LOWER ROD	1,000
20	31330	UPPER ROD PLATE	1,000
21	31333	ROD AXLE	1,000
22	32219	KLAMP 12X2	1,000
23	35065	BRACKET	1,000
24	35066	BRACKET	1,000
25	35712	STALK	1,000
26	37079	SEAT GUIDE RIGHT	1,000
27	37169	SEAT SAFETY BELT	1,000
28	43054	WASHER	1,000
29	52080	FRAME	1,000
30	52324	BRACKET	1,000
31	52328	SEAT BLOCKING PLATE	1,000
32	52331	LATCH	1,000
33	70086	HEXAGON SCREW,DIN 9	1,000
34	71113	NAIL RIVET, DIA. 4X	1,000
35	71201	NUT M6	1,000
36	71205	SCREW M8	1,000
37	71223	SCREW M8X50	1,000
38	71249	SCREW M10	1,000
39	71259	SCREW HM6X35	1,000
40	71343	SPRING WASHER A8	1,000
41	71373	SCREW M8X20	1,000

Number	Part Number	Name	Quantity
42	71413	SCREW HM 8-20	1,000
43	53395	SEAT COBO GT75	1,000
44	53888	SAFETY BELT	1,000
45	53396	UPPER SEAT GUIDE	1,000
46	53397	UPPER SEAT GUIDE	1,000
47	53398	LOWER SEAT GUIDE	1,000
48	53399	LOWER SEAT GUIDE	1,000

PL02287



04/2016

Number	Part Number	Name	Quantity
1	2009	BOLT M5X16	1,000
2	2020	NUT HM8	1,000
3	5071	BOLT HM 5X20	1,000
4	21525	NUT HM4	1,000
5	7335	WASHER	1,000
6	20564	WASHER 5,5	1,000
7	25803	PLUG FUSE HOLDER	1,000
8	25824	FUSE 20A 12V	1,000
9	71115	RECESSED HEAD SCREW	1,000
10	39841	SOFT START	1,000
11	28209	ALARM	1,000
12	28382	KEY CONTACT. EMBEL.	1,000
13	28384	KEY CONTACTOR	1,000
14	28388	SET OF 2 KEY	1,000
15	28392	WATERPROOF RELAY	1,000
16	29258	POSITION SWITCH	1,000
17	29563	BLINKER UNIT	1,000
18	29624	BLINKER UNIT	1,000
19	29789	CONTACTOR GROMMET	1,000
20	30017	THERMALCONTACT	1,000
22	16604	RELAY STARTER KIT	1,000
23	30295	BATTERY FUSE	1,000
25	31405	SWITCH	1,000
26	31419	-> 100216	1,000
27	31439	BATTER.ANGL.BRACKET	1,000
29	32215	BLINKER	1,000
30	32219	KLAMP 12X2	1,000
31	35058	DEAD PT SWITCH PLAT	1,000
32	35059	BRACKET	1,000
33	35115	INSULATION FOAM	1,000
34	35213	SWITCH FIXING	1,000
35	35405	ROTARY SWITCH	1,000
37	37370	INSTRUMENT DIA 100	1,000
39	37561	NUT	1,000
40	37996	SCREW HM5-16 8.8	1,000
41	37997	SCREW HM6-16 8.8	1,000
42	38126	SPACER	1,000
43	52157	LIGHTS	1,000
44	52158	LIGHTS	1,000
45	52351	WIRING	1,000
46	52494	SWITCH	1,000

Number	Part Number	Name	Quantity
47	52495	SWITCH ON/OFF/ON	1,000
48	52498	SWITCH ON/OFF/ON	1,000
49	52505	FRAME CONVER	1,000
50	71200	SCREW M5	1,000
51	71201	NUT M6	1,000
56	71343	SPRING WASHER A8	1,000
57	71373	SCREW M8X20	1,000
58	71403	NUT	1,000
59	71205	SCREW M8	1,000